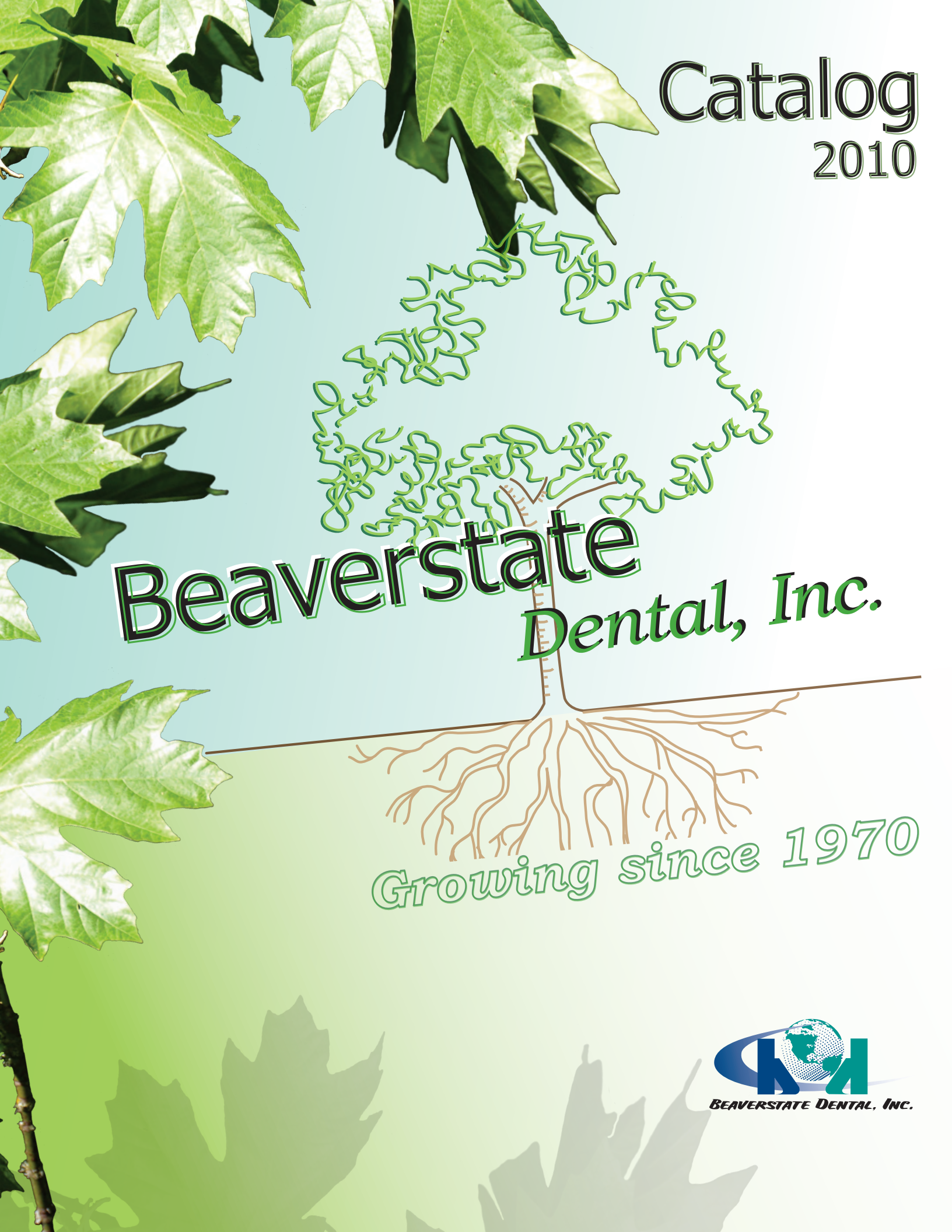


Catalog
2010



Beaverstate
Dental, Inc.

Growing since 1970



Effective November 1, 2009

Warranty:

Beaverstate Dental warrants its product to be free of defects in material and workmanship for FIVE FULL YEARS from the date of purchase on all units and a TWO YEAR warranty on the Evolution-3 Chair. Auto-blocks and standard foot control (126-000) are covered by a LIFETIME warranty when factory installed as part of a complete dental system. Warranty is limited to repair or replacement by Beaverstate Dental. Products returned to the factory and determined to be defective will be repaired or replaced free of charge. The warranty does not cover light bulbs. Beaverstate Dental reserves the right to void all warranties if any product is installed by other than an authorized technician. Beaverstate's warranty does not cover damage to any surface finish, including but not limited to, discoloration or abrasion from cleaners, disinfectants or light sources. No claim for labor or consequential damages will be allowed. Return items must include a copy of the invoice or packing slip as proof of purchase.

Shipping:

All prices are F.O.B. Newberg Oregon, U.S.A.
Standard shipping will be by UPS ground. Air or expedited service is available upon request.

Minimum Order Handling Fee:

All orders less than \$10.00 will be charged a \$10.00 handling charge.



Terms:

Net 30 days, with approved credit. A 1-1/2% interest charge may be applied to past due accounts. VISA, Mastercard and Discover Card are accepted. When using credit cards, a 3% (of invoice) transaction fee will apply.



Returned Merchandise:

Merchandise may not be returned without prior authorization. Shipping must be prepaid. A restocking fee of \$5.00 or 10%, whichever is greater, may be charged for non-warranty related merchandise returns. Call our customer service to obtain an authorization number and additional return information. No returns on custom or special order items, including non-standard upholstery colors, will be accepted. Any shortages in shipment must be filed with Beaverstate Dental within 5 working days of receipt of shipment. Claims for items damaged in transit must be filed directly with the carrier.

Customer Service:

Available Monday thru Friday, 6:30 AM to 4:30 PM, Pacific Standard Time.



Look for this symbol indicating new items to our product line or changes to our policies.

*115 S. Elliott Rd.
Newberg, Oregon 97132 U.S.A.*

Beaverstate Dental, Inc.



*Rick Whitman
President*



*Chuck Whisman
Vice President, Sales*



*Aaron Britton
General Manager*



*Pam Lawrence
Customer Service*



*Angela Cretsinger
Graphics*



*115 S. Elliott Rd.
Newberg, OR 97132 U.S.A
800-237-2303*

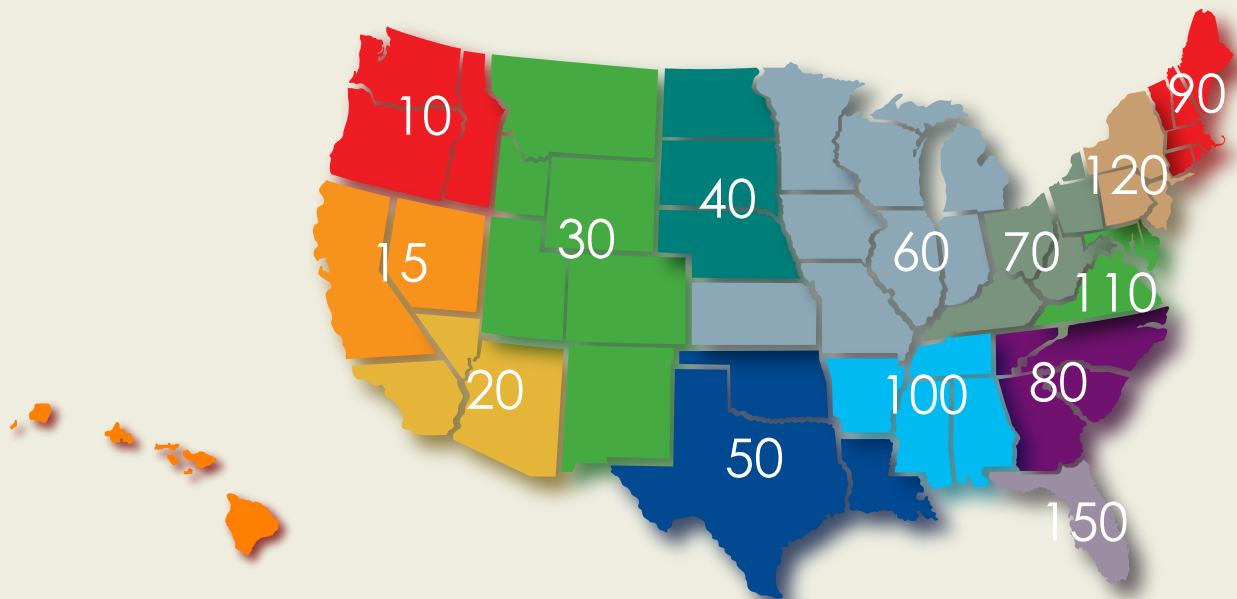
Mission Statement

To produce simple, durable designs that allow American quality to be affordable to everyone.

To be totally accountable for the service and support our customers want and deserve.

Seek to serve customers by forming long term, mutually profitable relationships with aggressive, service minded, full service dealers.

Territory Managers



<p>Territory 10 Oregon, Washington & Western Idaho Ferdie Matos 567 S. Broad St. Monmouth, OR 97361 503-358-4991 Mobile 503-838-2389 Phone/Fax email: ferdiem@juno.com</p>	<p>Territory 40 North Dakota, South Dakota, Nebraska, Kansas, Iowa & Missouri David Cameron 8213 W. Meadow Pass Ct. Wichita, KS 67205 316-640-4124 Mobile 316-773-0257 Home 316-773-4457 Fax email: equipspec@cox.net</p>	<p>Territory 80 North Carolina, South Carolina, Georgia & Eastern Tennessee Annemarie Humm 14959 Hwy 221 South Waterloo, SC 29384 864-684-0400 Office 704-236-8759 Mobile 864-677-2902 Fax email: ahumm@noschigroup.net www.noschigroup.net</p>	<p>Territory 120 New York (except Buffalo & Rochester), New Jersey & Eastern Pennsylvania Ed Snyder 3 Hunts Mill Rd. Clinton, NJ 08809 908-334-7235 Mobile 908-730-7756 Fax email: edwins@embarqmail.com</p>
<p>Territory 15 Northern California, Hawaii & Nevada (Reno/Sparks) Kent Harrison 3855 Woodcrest Rd. Sacramento, CA 95821 916-267-1181 Mobile 916-481-5850 Phone/Fax email: harrisonrep@att.net</p>	<p>Territory 50 Texas, Oklahoma & Louisiana Merv Tonkin 6310 Trailway Lane Spring, TX 77379 832-264-3390 Mobile 281-376-6548 Phone/Fax email: merv@tonkindental.com www.tonkindental.com</p>	<p>Territory 90 Maine, Connecticut, Rhode Island, New Hampshire, Massachusetts & Vermont Peter Brown 90 Tennyson Ave. Nashua, NH 03062 603-888-0055 Office/Fax 603-860-9190 Mobile email: PABrown68@aol.com</p>	<p>Territory 125 British Columbia, Alberta, Saskatchewan & Manitoba Roger Beaulieu #520 - 6540 E. Hastings St. Burnaby, BC V5B 4Z5 604-421-7323 604-421-7340 Fax email: roger.dental@shaw.ca</p>
<p>Territory 20 Southern California & Nevada (Las Vegas) Thacher Market Consultants Marc Thacher 1305 Neptune Ave. Del Mar, CA 92024 858-703-4023 Phone email: MarcThacher@gmail.com www.MTMConsultants.com</p>	<p>Territory 60 Illinois, Indiana, Michigan, Wisconsin & Minnesota Call Beaverstate Dental Customer Service at 800-237-2303</p>	<p>Territory 100 Arkansas, Alabama, Western Tennessee & Mississippi Rich Pascoe 150 Marseille Dr. Maumelle, AR 72113 501-680-6937 Mobile 501-217-9341 501-851-1282 Fax email: R1Pas@aol.com</p>	<p>Territory 130 Ontario, Quebec & Maritimes Michel Casault 1811 Summerland Crescent Ottawa ONT K1E 2Y3 613-769-5415 Cell 613-830-5375 Home 613-830-5375 Fax e-mail: mcasault@magma.ca</p>
<p>Territory 30 Wyoming, Colorado, Montana, Eastern Idaho, Utah & New Mexico Arizona Jim Dillon 8200 S. Quebec St. A-3 #284 303-898-8263 720-348-6922 Fax email: mtnwestrep@aol.com</p>	<p>Territory 70 Western Pennsylvania, Ohio, Kentucky, West Virginia & New York (Buffalo & Rochester only) Rich Johnston 171 Brookmeade Dr. Pittsburgh, PA 15237-1709 412-364-2325 Phone email: richjohnston@verizon.net</p>	<p>Territory 110 Maryland, Delaware, Virginia & Washington D.C. Jeff Haller 316 Colonel Dr. Highland Springs, VA 23075 804-328-0736 Phone/Fax email: jehaller@comcast.net</p>	<p>Territory 150 Florida Robert Billoni 4306 Golf Crest Ct. Tampa, FL 33618 954-445-3008 Mobile email: rbilloni@verizon.net</p>

Table of Contents

Territory Managers	2	Components	
Table of Contents.....	3	Arm Systems.....	71
Chemical and Disinfection Guidelines	4	Arms and Brackets	72
Operatories		Mounts and Bushings.....	73
Helix Operatory System	5	Shelves and Trays	74
Northwest Operatory System.....	6	Vacuum Kits	75
Evergreen Operatory System.....	7	Vacuum Kits	76
Columbia Operatory System	8	Vacuum Accessories	77
Sierra Operatory System.....	9	Vacuum Accessories	78
Mt. Hood Operatory System	10	Vacuum Accessories	79
McKenzie Operatory System	11	Vacuum Accessories and Switches	80
'Evolution 3' Operatory Chair.....	12	Handpiece Holders.....	81
Units		Handpiece Holders.....	82
Over the Patient Systems	14	Holder Bars and Auto-blocks	83
Over the Patient Systems	16	Valves	84
Over the Patient Systems	18	Valves	85
Over the Patient Systems	20	Syringes.....	86
Over the Patient Systems	22	Syringes.....	87
Beside the Patient System	24	Utility Center and Master Valves	88
Beneath Shelf Mounted System	26	Water Bottle Systems	89
Cabinet Mounted Systems.....	28	Water Bottle Accessories.....	90
Cabinet Mounted Systems.....	30	Foot Controls	91
Cabinet Mounted Systems.....	32	Handpiece Tubing and Connectors.....	92
Rear Delivery Systems	34	Syringe and Foot Control Tubing	93
Rear Delivery Systems	36	Supply and Vacuum Tubing.....	94
Cart Systems	38	Handpiece Illumination, 5 Pin (ISO-B)	95
Cart Systems	40	Handpiece Illumination, 6 Pin (ISO-C)	96
Cart Systems	42	Fittings	97
Cart Systems	44	Fittings and Quick Disconnects	98
Cart Systems	46	Filters	99
Handpiece Control Heads.....	48	Cart Accessories	100
Wall Mounted Handpiece Controls	50	Aerolight Replacement Parts	101
Wall Mounted Handpiece Controls	52	Celux Light Replacement Parts	102
Wall Mounted Handpiece Controls	54	Posts and Accessories	103
Panel Mounted Handpiece Controls	56	Chair Adapters and Cuspidor Accessories	104
Cuspidors and Miscellaneous		Gauges and Service Items.....	105
Cuspidors	58	O-rings	106
Vacuum Arm Systems.....	60	Unit Weights and Dimensions.....	107
Vacuum Arm Systems	62	Index	108
Aerolight Operatory Light, Ceiling and Post Mt.....	64	Index.....	109
Celux Operatory Light, Post Mount.....	68	Index	110
Stools.....	70	Upholstery Color Selection Guide, Boltaflex	111
		Upholstery Color Selection Guide, Nauga Soft	112

Disinfection Guidelines

Beaverstate Dental makes no representation as to the disinfection efficacy of any disinfectant product. Questions regarding product efficacy should be directed to the specific manufacturer of that product. We make no warranty expressed or implied regarding any damage resulting from the use of any disinfectant. Damage and/or discoloration of any surface is not covered by our warranty.

There are many products and techniques for infection control that are presently available on the market.

The **BARRIER TECHNIQUE METHOD** has proved to be effective in the preservation of the surface finish and appearance of your new equipment. Disposable barrier products should be used and changed between each patient. Consult your full service dental dealer for information regarding disposable barrier products.

The **CHEMICAL DISINFECTION METHOD** is an effective means of disinfection, but care is needed in the mixing and use of the products. To minimize the accumulation of chemical residues on your new equipment, you must wash your equipment daily with a solution of warm water and mild soap. When mixing any cleaning or disinfecting chemical product, care should be taken to follow the manufacturers instructions regarding mixing and use. If recommended ratios of dilution are not followed, non-damaging chemical may become corrosive and damage surface finishes. Consult your full service dental dealer for information regarding chemical disinfecting and cleaning products.

Non Acceptable disinfectants and cleaners include: Household bleach @ 5.25%, Ethyl alcohol, alcohol, alcohol-based phenols, household cleaners and strong phenols or alcohol-phenol combinations. The use of iodine based products has been known to stain painted and upholstered surfaces.

When **FLUSHING UNIT LINES AND WATER BOTTLE SYSTEMS**, care must be taken. If a powdered flushing product that requires mixing with water is used, the powder must be thoroughly dissolved in the water. Improper mixing will cause solution particulates. These particulates may cause residual debris in the water lines which will cause the dental system to not work properly.

DAMAGE OR DISCOLORATION OF SURFACE FINISHES IS NOT COVERED UNDER THE BEAVERSTATE WARRANTY.



StainOff - Iodophor Inactivator

Recommended for use in removing Iodophor discoloration and/or spills.

(See page 105 for details)

Helix Operatory System



Helix Operatory System

Operatory System with Telescoping Vacuum (price includes Aerolight) **Operatory Price \$13,125.00**

Unit Package Features

'Helix'	Left/Right Swing Posts and Bracket with Bushing (only available on Helix Operatory)	N/A
H-3500	3 Handpiece Automatic Control, Top Post Mount System (only available on Helix Operatory)	N/A
H-5200	Telescoping Vacuum Arm (only available on Helix Operatory)	N/A
Aerolight	Operatory Light (shown above) (see page 64)	\$1,495.00
CLX-110	Operatory Light (not shown above) (see page 68)	\$1,060.00
DR-96	Doctor's Operatory Stool (see page 70)	\$460.00
AT-96	Assistant's Operatory Stool (see page 70)	\$620.00
110-062	Post Mounted Water Bottle Kit (see page 89)	\$280.00
EVOL-3	Evolution Operatory Chair, 110V (see page 12) (price when ordering COMPLETE Operatory)	\$5,700.00

Custom Options:

115-713	HP Illumination (5 pin)	\$266.00
115-703	HP Illumination (6 pin)	\$225.00
126-160	Wet/dry foot control	\$85.50
030-014	2nd HVE, holder and tubing	\$73.00

Northwest Operatory System



Northwest Operatory System

Operatory System with Telescoping Vacuum Arm (price includes Aerolight)	Operatory Price \$12,505.00
Less Chair, Chair Bracket and Stools.....	Package Price with Aerolight Operatory Light \$5,748.00
Less Chair, Chair Bracket and Stools.....	Package Price with Celux Operatory Light \$5,313.00

Unit Package Features

S-3500	3 Handpiece Automatic Control, 2" dia. Post Mount System (see page 14)	\$3,050.00
A-5200	Telescoping Vacuum Arm (see page 60)	\$793.00
Aerolight	Operatory Light (shown above) (see page 64)	\$1,495.00
CLX-110	Operatory Light (not shown above) (see page 68)	\$1,060.00
146-203	40" Light Post with Bushing (see page 103)	\$130.00
DR-96	Doctor's Operatory Stool (see page 70)	\$444.00
AT-96	Assistant's Operatory Stool (see page 70)	\$620.00
110-062	Post Mounted Water Bottle Kit (see page 89)	\$280.00
EVOL-3	Evolution Operatory Chair, 110V (see page 12) (price when ordering COMPLETE Operatory).....	\$5,700.00
146-116	Evolution Chair Adapter (see page 104)	\$252.00

Custom Options:

115-713	HP Illumination (5 pin)	\$266.00
115-703	HP Illumination (6 pin)	\$225.00
126-160	Wet/dry foot control	\$85.50
030-014	2nd HVE, holder and tubing	\$73.00

Evergreen Operator System



Evergreen Operator System

Operator System with Side Box and Telescoping Vacuum Arm (price includes Aerolight) **Operator Price** \$12,760.00
 Less Chair, Chair Bracket and Stools **Package Price with Aerolight Operator Light** \$6,002.00
 Less Chair, Chair Bracket and Stools **Package Price with Celux Operator Light** \$5,567.00

Unit Package Features

S-3506	3 Handpiece Automatic Control, Top Post Mount System—Flip Top (see page 14)	\$3,050.00
A-5210	Telescoping Vacuum Arm for 144-055 Side Box only (not shown separately)	\$657.00
Aerolight	Operator Light (shown above) (see page 64)	\$1,495.00
CLX-110	Operator Light (not shown above) (see page 68)	\$1,060.00
DR-96	Doctor's Operator Stool (see page 70)	\$444.00
AT-96	Assistant's Operator Stool (see page 70)	\$620.00
144-055	Side Box with Water QD and Flow Control for A-5210 Telescoping Vacuum Arm only (not shown separately)	\$800.00
EVOL-3	Evolution Operator Chair, 110V (see page 12) (price when ordering COMPLETE Operator)	\$5,700.00
146-116	Evolution Chair Adapter (see page 104)	\$252.00

Custom Options:



144-054	Water Bottle Kit	\$136.00
115-713	HP Illumination (5 pin)	\$266.00
115-703	HP Illumination (6 pin)	\$225.00
126-160	Wet/dry foot control	\$85.50
030-014	2nd HVE, holder and tubing	\$73.00

Columbia Operatory System



Columbia Operatory System

Operatory System with Cuspidor (price includes Aerolight)	Operatory Price \$12,877.00
Less Chair, Chair Bracket and Stools	Package Price with Aerolight Operatory Light \$5,977.00
Less Chair, Chair Bracket and Stools	Package Price with Celux Operatory Light \$5,542.00

Unit Package Features

S-3506	3 Handpiece Automatic Control, Top Post Mount System—Flip Top (see page 14)	\$3,050.00
C-3250	Cuspidor with Vacuum and Water QD (see page 58)	\$1,242.00
Aerolight	Operatory Light (shown above) (see page 64)	\$1,495.00
CLX-110	Operatory Light (not shown above) (see page 68)	\$1,060.00
146-015	Light Post Extension with Bushing (see page 103)	\$190.00
DR-96	Doctor's Operatory Stool (see page 70)	\$444.00
AT-96	Assistant's Operatory Stool (see page 70)	\$620.00
EVOL-3	Evolution Operatory Chair, 110V (see page 12) (price when ordering COMPLETE Operatory)	\$5,700.00
146-116	Evolution Chair Adapter (see page 104)	\$252.00

Custom Options:

Water Bottle Systems	Page 89	
115-713	HP Illumination (5 pin)	\$266.00
115-703	HP Illumination (6 pin)	\$225.00
126-160	Wet/dry foot control	\$85.50
030-014	2nd HVE, holder and tubing	\$73.00
113-514	Syringe, assistant side	\$99.50

Sierra Operator System



Sierra Operator System

Chair Mounted Delivery System with Side Box and Cuspidor (price includes Aerolight) **Operator Price** \$13,105.00
 Less Chair, Chair Bracket and Stools **Package Price with Aerolight Operator Light** \$6,334.25
 Less Chair, Chair Bracket and Stools **Package Price with Celux Operator Light** \$5,899.25

Unit Package Features

S-3506	3 Handpiece Automatic Control, Top Post Mount System—Flip Top (see page 14)	\$3,050.00
144-057	Side Box with Light Post, Water QD and Flow Control for C-3201 Cuspidor only (not shown separately)	\$818.00
C-3201	Cuspidor with vacuum for 144-057 Side Box only (not shown separately)	\$971.25
Aerolight	Operator Light (shown above) (see page 64)	\$1,495.00
CLX-110	Operator Light (not shown above) (see page 68)	\$1,060.00
DR-96	Doctor's Operator Stool (see page 70)	\$444.00
AT-96	Assistant's Operator Stool (see page 70)	\$620.00
EVOL-3	Evolution Operator Chair, 110V (see page 12) (price when ordering COMPLETE Operator)	\$5,700.00
146-116	Evolution Chair Adapter (see page 104)	\$252.00

Custom Options:



144-054	Water Bottle Kit	\$136.00
115-713	HP Illumination (5 pin)	\$266.00
115-703	HP Illumination (6 pin)	\$225.00
126-160	Wet/dry foot control	\$85.50
030-014	2nd HVE, holder and tubing	\$73.00

Mt. Hood Operatory System



Mt. Hood Operatory System

Euro Operatory System with Cuspidor (price includes Aerolight)	Operatory Price \$13,225.00
Less Chair, Chair Bracket and Stools	Package Price with Aerolight Operatory Light \$6,307.00
Less Chair, Chair Bracket and Stools	Package Price with Celux Operatory Light \$5,872.00

Unit Package Features

S-6307	3 Handpiece Automatic Control, Top Post Mount System—Euro Style (see page 18)	\$3,380.00
C-3250	Cuspidor with Vacuum and water QD (see page 58)	\$1,242.00
Aerolight	Operatory Light (shown above) (see page 64)	\$1,495.00
CLX-110	Operatory Light (not shown above) (see page 68)	\$1,060.00
146-015	Light Post Extension with Bushing (see page 103)	\$190.00
DR-96	Doctor's Operatory Stool (see page 70)	\$444.00
AT-96	Assistant's Operatory Stool (see page 70)	\$620.00
EVOL-3	Evolution Operatory Chair, 110V (see page 12) (price when ordering COMPLETE Operatory)	\$5,700.00
146-116	Evolution Chair Adapter (see page 104)	\$252.00

Custom Options:

Water Bottle Systems	Page 89	
115-713	HP Illumination (5 pin)	\$266.00
115-703	HP Illumination (6 pin)	\$225.00
126-160	Wet/dry foot control	\$85.50
030-016	2nd HVE, holder and tubing	\$73.00
113-514	Syringe, assistant side	\$99.50

McKenzie Operator System



McKenzie Operator System

Euro Operator System with Cuspidor (price includes Aerolight)	Operator Price \$13,455.00
Less Chair, Chair Bracket and Stools	Package Price with Aerolight Operator Light \$6,664.25
Less Chair, Chair Bracket and Stools	Package Price with Celux Operator Light \$6,229.25

Unit Package Features

S-6307	Handpiece Automatic Control, Top Post Mount System—Euro Style (see page 18)	\$3,380.00
144-057	Side Box with Light Post, Water QD and Flow Control for C-3201 Cuspidor only (not shown separately) ...	\$818.00
C-3201	Cuspidor with vacuum for 144-057 Side Box only (not shown separately)	\$971.25
Aerolight	Operator Light (shown above) (see page 64)	\$1,495.00
CLX-110	Operator Light (not shown above) (see page 68)	\$1,060.00
DR-96	Doctor's Operator Stool (see page 70)	\$444.00
AT-96	Assistant's Operator Stool (see page 70).....	\$620.00
EVOL-3	Evolution Operator Chair, 110V (see page 12) (price when ordering COMPLETE Operator).....	\$5,700.00
146-116	Evolution Chair Adapter (see page 104)	\$252.00

Custom Options:



144-054 Water Bottle Kit.....	\$136.00
115-713 HP Illumination (5 pin)	\$266.00
115-703 HP Illumination (6 pin)	\$225.00
126-160 Wet/dry foot control.....	\$85.50
030-016 2nd HVE, holder and tubing	\$73.00

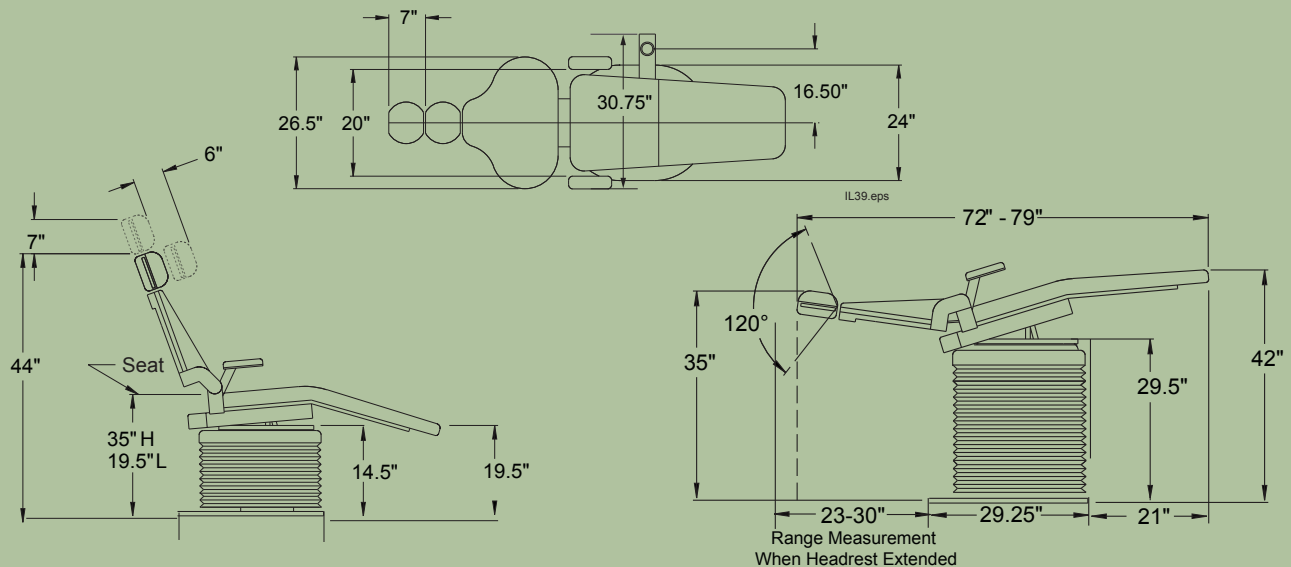
Evolution 3 Operatory Chair



Evolution-3 (110 Volt AC)

Operatory chair with 5 programmable positions
\$7,000.00 (when sold separately)
\$5,700.00 (when sold as part of COMPLETE operatory)

Dimensions



Features of Evolution-3 Operatory Chair

Evol-110

Heavy duty cast aluminum base	■
Thin back with lumbar support	■
Anatomically correct back pivot point	■
Standard non-articulating headrest with contour cushion	■
Centrally located touch control	■
4 manual chair movements and 5 programmable positions	■
Swing down arms	■
Synchronized back and toe board recline	■
Snap-on upholstery	■
Heavy vinyl scuff guard for toe board	■
Multi-function foot switch	■
110 Volt AC motors	■
400+ lb. lifting capacity	■

Options

Part Number

Price

Chair adapter	146-116	\$252.00 Add	■
---------------	---------	--------------	---

Color Options

Gray	363556	N/C	■
Lite Gray	363780	N/C	■
Natural	363537	N/C	■
Coffee Cream	363538	N/C	■
New Burgundy	363546	N/C	■
Black Plum	363767	N/C	■
Mauve	363783	N/C	■
Colonial Blue	363554	N/C	■
Midnight Blue	363786	N/C	■
Horizon Blue	363553	N/C	■
Jade	363552	N/C	■
Hunter Green	363551	N/C	■

Upholstery Options

Part Number

Price

Narrow Back Chair with Slings		N/C	■
Nauga Soft upholstery		N/C	■



Touch Pad Control Located on chair back
(Standard Feature)



Double Articulating Headrest
(in lieu of non articulating headrest)

300-094
\$170.00

Over the Patient Systems

Post NOT Included,
if Needed, Length must be Specified



Top Post Mount Units Include 28" Post



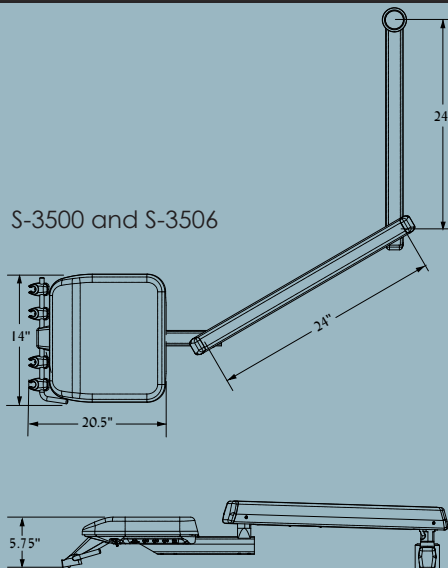
S-3500

3 HP Automatic 2" dia. Post Mount
Doctor's System with Pneumatic Brake Flex Arm
\$3,050.00

S-3506

3 HP Automatic Top Post Mount
Doctor's System with Pneumatic Brake Flex Arm
\$3,050.00

Dimensions



<i>Features of over the patient systems</i>	<i>S-3500</i>	<i>S-3506</i>
Asepsis designed automatic selection for 3 handpieces	■	■
Bottom mounted angled control adjustments	■	■
3-way syringe with quick change autoclavable tip	■	■
Master ON/OFF toggle with indicator	■	■
Pressure adjustment for each handpiece	■	■
Easy to read pressure gauge (protected under cover)	■	■
Air coolant flow adjustment	■	■
Non-retracting water coolant adjustment and purge	■	■
Plated brass valving for long life	■	■
Asepsis handpiece tubing, sterling (specify straight or coiled)	■	■
Stainless steel instrument tray, 9-3/4" x 13-1/2"	■	■
Asepsis flex arm system with pneumatic brake, 52" reach, 27" vertical travel	■	■
Unit mount post, 28"		■
Soft-touch variable speed foot control	■	■
Utility center assembly, 14" x 9" x 5-3/8"	■	■
7' umbilical tubing	■	■

<i>Options</i>	<i>Part Number</i>	<i>Price</i>		
Delete utility center	144-018	\$315.00 Deduct	■	■
Delete handpiece station with tubing		\$50.00 Deduct	■	■
Additional handpiece station with tubing (dry only)		\$126.00 Add	■	■
Additional umbilical tubing (per foot)		\$9.50 Add	■	■
Unit mount post, 40" with bushing	146-203	\$134.00 Add	■	
Light post extension with bushing	146-015	\$190.00 Add		■
Chair bracket (specify model of chair - see page 104)			■	■

<p>Dual Water Bottle Kits, page 89</p> <p>Post 110-051 Wall 110-052</p> <p>\$450.00 \$410.00</p> 	<p>Water Bottle Kits, page 89</p> <p>110-004 110-028</p> <p>\$144.00 \$180.00</p> 	<p>Handpiece Illumination System with Delay, 5 and 6 pin pages 95 and 96</p>  <p>Hepa Filter 119-027 \$27.50 page 80</p> 
--	--	---

Foot Controls, page 91	
126-133 Chip Blower	\$86.00 Add
126-160 Wet/Dry	\$85.50 Add
126-203 Wet/Dry Chip Blower	\$133.00 Add

Over the Patient Systems

*Post NOT Included,
if Needed, Length must be Specified*



Top Post Mount Units Include 28" Post



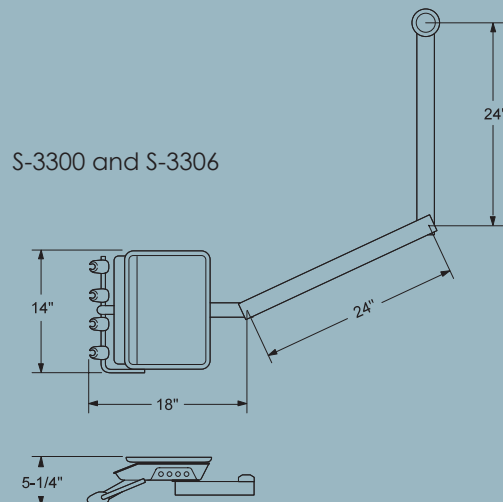
S-3300

3 HP Automatic 2" dia. Post Mount
Doctor's System with Pneumatic Brake Flex Arm
\$3,000.00

S-3306

3 HP Automatic Top Post Mount
Doctor's System with Pneumatic Brake Flex Arm
\$3,000.00

Dimensions



Features of over the patient systems

S-3300 S-3306

Asepsis designed automatic selection for 3 handpieces	■	■
Side-mounted recessed control adjustments	■	■
3-way syringe with quick change autoclavable tip	■	■
Master ON/OFF toggle with indicator	■	■
Pressure adjustment for each handpiece	■	■
Easy to read pressure gauge (protected under cover)	■	■
Air coolant flow adjustment	■	■
Non-retracting water coolant adjustment and purge	■	■
Plated brass valving for long life	■	■
Asepsis handpiece tubing, sterling (specify straight or coiled)	■	■
Stainless steel instrument tray, 9-3/4" x 13-1/2"	■	■
Asepsis flex arm system with pneumatic brake, 52" reach, 27" vertical travel	■	■
Unit mount post, 28"		■
Soft-touch variable speed foot control	■	■
Utility center assembly, 14" x 9" x 5-3/8"	■	■
7' umbilical tubing	■	■

Options

Part Number

Price

Delete utility center	144-018	\$315.00 Deduct	■	■
Delete handpiece station with tubing		\$50.00 Deduct	■	■
Additional handpiece station with tubing (dry only)		\$125.00 Add	■	■
Additional umbilical tubing (per foot)		\$9.00 Add	■	■
Unit mount post, 40" with bushing	146-203	\$130.00 Add	■	
Light post extension with bushing	146-015	\$190.00 Add		■
Chair bracket (specify model of chair - see page 104)			■	■

Dual Water Bottle Kits, page 89

Post 110-051 Wall 110-052
\$450.00 \$410.00

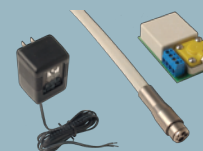


Water Bottle Kits, page 89

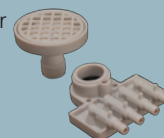
110-004 110-028
\$144.00 \$180.00



Handpiece Illumination System
with Delay, 5 and 6 pin
pages 95 and 96



Hepa Filter
119-027
\$27.50
page 80



Foot Controls, page 91

126-133 Chip Blower \$86.00 Add
126-160 Wet/Dry \$85.50 Add
126-203 Wet/Dry Chip Blower \$133.00 Add

Over the Patient Systems

Post NOT Included,
if Needed, Length must be Specified

Top Post Mount Units Include 28" Post



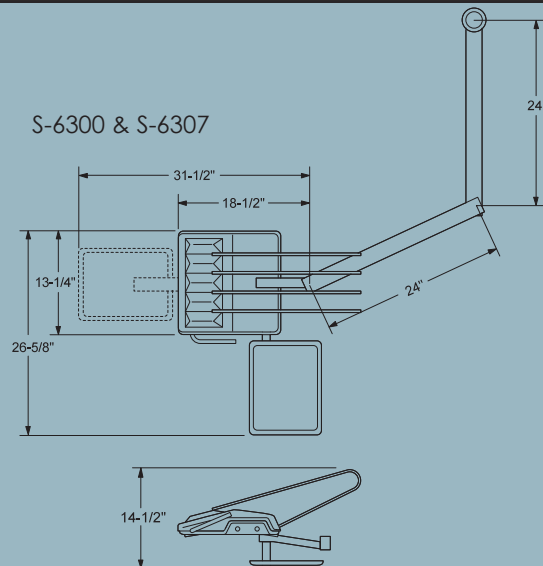
S-6300

3 HP Automatic Euro 2" dia. Post Mount
Doctor's System with Pneumatic Brake Flex Arm
\$3,380.00

S-6307

3 HP Automatic Euro Top Post Mount
Doctor's System with Pneumatic Brake Flex Arm
\$3,380.00

Dimensions



Features of over the patient systems

S-6300 S-6307

Asepsis designed automatic selection for 3 handpieces	■	■
Side-mounted control adjustments	■	■
3-way syringe with quick change autoclavable tip	■	■
Master ON/OFF toggle with indicator	■	■
Pressure adjustment for each handpiece	■	■
Easy to read pressure gauge	■	■
Air coolant flow adjustment	■	■
Non-retracting water coolant adjustment and purge	■	■
Water coolant ON/OFF	■	■
Plated brass valving for long life	■	■
Asepsis handpiece tubing, sterling	■	■
Stainless steel instrument tray, 9-3/4" x 13-1/2"	■	■
Arm-mounted tray holder, 30" lateral movement, 360° rotation	■	■
Asepsis flex arm system with pneumatic brake, 52" reach, 27" vertical travel	■	■
Unit mount post, 28"		■
Soft-touch variable speed foot control	■	■
Utility center assembly, 14" x 9" x 5-3/8"	■	■
7' umbilical tubing	■	■

Options

Part Number Price

Delete utility center	144-018	\$315.00 Deduct	■	■
Unit mount post, 40" with bushing	146-203	\$130.00 Add	■	
Additional umbilical tubing (per foot)		\$9.00 Add	■	■
Light post extension with bushing	146-015	\$190.00 Add		■
Chair bracket (specify model of chair - see page 104)			■	■

Dual Water Bottle Kits, page 89

Post 110-051 Wall 110-052
\$450.00 \$410.00



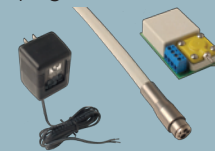
Water Bottle Kits, page 89

110-004 110-028
\$144.00 \$180.00



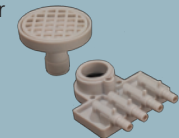
Handpiece Illumination System

with Delay, 5 and 6 pin
pages 95 and 96



Hepa Filter

119-027
\$27.50
page 80



Foot Controls, page 91

126-133 Chip Blower	\$86.00 Add
126-160 Wet/Dry	\$85.50 Add
126-203 Wet/Dry Chip Blower	\$133.00 Add

Over the Patient Systems

Post NOT Included, if Needed, Length must be Specified



S-3410

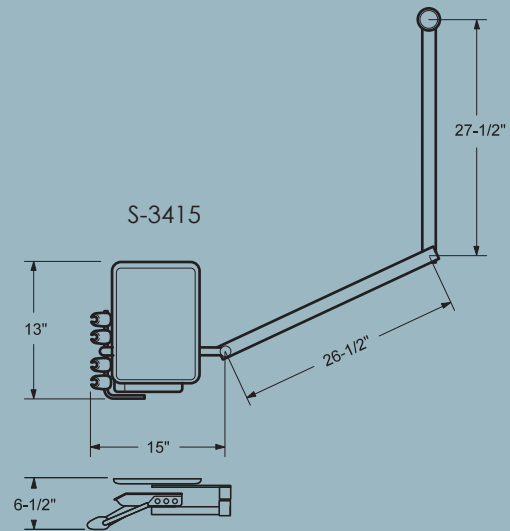
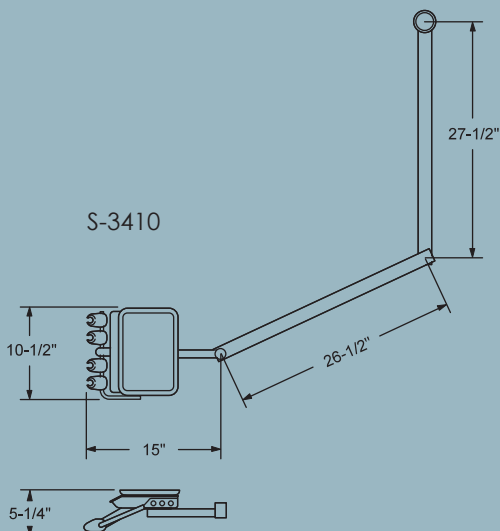
3 HP Automatic 2" dia. Post Mount
 Doctor's System, (2 wet, 1 dry) with Manual Flex Arm
 \$2,120.00

S-3415

3 HP Automatic 2" dia. Post Mount
 Doctor's System, (2 wet, 1 dry) with Manual Flex Arm
 \$2,220.00

Dimensions

MAXIMUM TRAY LOAD LIMIT IS 4 LBS.



<i>Features of over the patient systems</i>	<i>S-3410</i>	<i>S-3415</i>
Asepsis designed automatic selection for 3 handpieces	■	■
Side-mounted recessed control adjustments	■	■
3-way syringe with quick change autoclavable tip	■	■
Master ON/OFF toggle	■	■
Pressure adjustment for each handpiece	■	■
Easy to read pressure gauge	■	■
Non-retracting water coolant	■	■
Water coolant ON/OFF and flow control	■	■
Plated brass valving for long life	■	■
Asepsis handpiece tubing, sterling (specify straight or coiled)	■	■
Manual flex arm system with friction brake, 63" reach, 27" vertical travel	■	■
Stainless steel instrument tray, 9-3/4" x 13-1/2"		■
Stainless steel instrument tray, 10" x 6-1/2"	■	
Soft-touch variable speed foot control	■	■
Utility center assembly, 14" x 9" x 5-3/8"	■	■
7' umbilical tubing	■	■

<i>Options</i>	<i>Part Number Price</i>		
Delete utility center	144-018	\$315.00 Deduct	■
Delete handpiece station with tubing		\$50.00 Deduct	■
Unit mount post, 28" with bushing	146-202	\$110.00 Add	■
Unit/light post, 40" with bushing	146-203	\$130.00 Add	■
Additional umbilical tubing (per foot)		\$9.00 Add	■
Chair bracket (specify model of chair - see page 104)			■

<p>Dual Water Bottle Kits, page 89</p> <p>Post 110-051 Wall 110-052</p> <p>\$450.00 \$410.00</p> 	<p>Water Bottle Kits, page 89</p> <p>110-004 110-028</p> <p>\$144.00 \$180.00</p> 	<p>Handpiece Illumination System with Delay, 5 and 6 pin pages 95 and 96</p> 
--	--	--

<i>Foot Controls, page 91</i>	
126-133 Chip Blower	\$86.00 Add
126-160 Wet/Dry	\$85.50 Add
126-203 Wet/Dry Chip Blower	\$133.00 Add

Over the Patient Systems

Post NOT Included, if Needed, Length must be Specified



A-2500

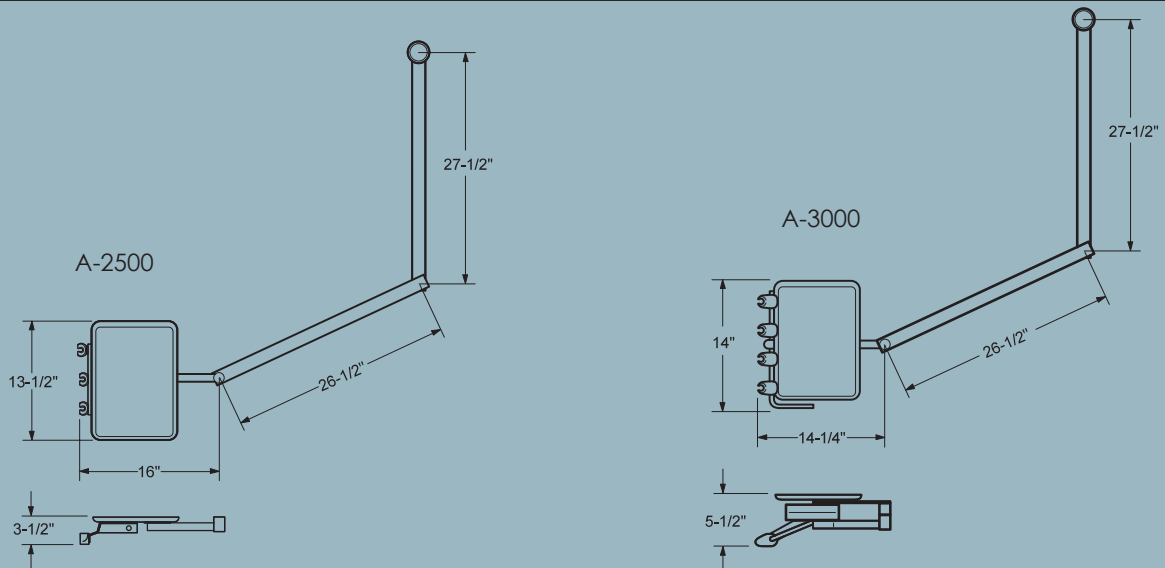
2 HP Automatic 2" dia. Post Mount
 Doctor's System with Manual Flex Arm
 \$1,860.00

A-3000

3 HP Automatic 2" dia. Post Mount
 Doctor's System with Manual Flex Arm
 \$2,510.00

Dimensions

MAXIMUM TRAY LOAD LIMIT IS 4 LBS.



Features of over the patient systems

A-2500 A-3000

Automatic selection for 2 handpieces	■	
Automatic selection for 3 handpieces with purge		■
3-way syringe with quick change autoclavable tip	■	■
Master ON/OFF toggle with indicator		■
Pressure adjustment for each handpiece	■	■
Easy to read pressure gauge	■	■
Air coolant flow adjustment		■
Non-retracting water coolant adjustment and purge		■
Water coolant ON/OFF and flow control	■	■
Plated brass valving for long life	■	■
Asepsis handpiece tubing, sterling (specify straight or coiled)	■	■
Stainless steel instrument tray, 9-3/4" x 13-1/2"	■	■
Arm-mounted tray holder, 16" lateral movement, 360° rotation		■
Manual flex arm system with friction brake, 63" reach, 27" vertical travel	■	■
Soft-touch variable speed foot control	■	■
Utility center assembly, 14" x 9" x 5-3/8"	■	■
7' umbilical tubing	■	■

Options

Part Number

Price

Delete utility center	144-018	\$315.00 Deduct	■	■
Water coolant to both handpieces		\$32.00 Add	■	
Handpiece coolant purge		\$32.00 Add		■
Delete handpiece station with tubing		\$50.00 Deduct		■
Additional handpiece station with tubing on A-3000 (dry only)		\$125.00 Add		■
Unit mount post, 28" with bushing	146-202	\$110.00 Add	■	■
Unit/light post, 40" with bushing	146-203	\$130.00 Add	■	■
Additional umbilical tubing (per foot)		\$9.00 Add	■	■
Chair bracket (specify model of chair - see page 104)			■	■

Dual Water Bottle Kits, page 89

Post 110-051 Wall 110-052

\$450.00

\$410.00



Water Bottle Kits, page 89

110-004 110-028

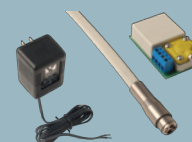
\$144.00

\$180.00



Handpiece Illumination System

with Delay, 5 and 6 pin
pages 95 and 96



(A-3000 Only) Foot Controls, page 91

126-133 Chip Blower \$86.00 Add

126-160 Wet/Dry \$82.00 Add

126-203 Wet/Dry Chip Blower \$133.00 Add

Beside the Patient System



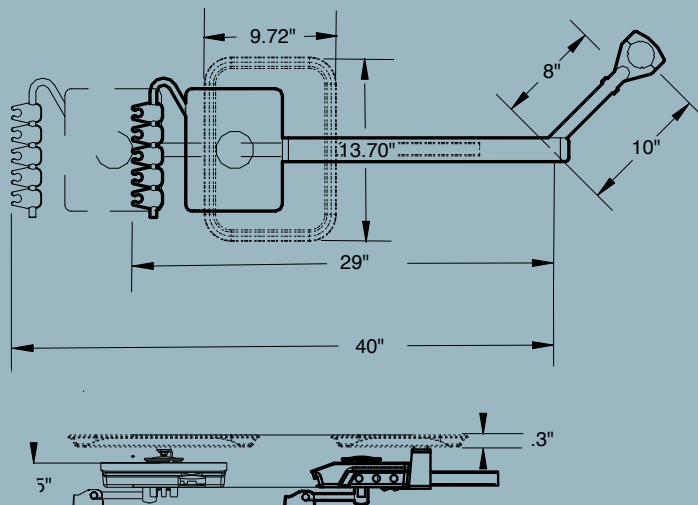
*Post NOT Included, if Needed,
Length must be Specified*

*Filter/Regulators Must
Be Ordered Separately*

S-5325

2 HP Automatic 2" dia. Post Mount Hygiene System with Telescoping Arm and pivoting Tray Mount Assembly
\$1,585.00

Dimensions



Features of hygiene systems

S-5325

Automatic selection for 2 handpieces (1 wet, 1 dry)	■
3-way syringe with quick change autoclavable tip	■
1 autoclavable HVE and saliva ejector valve with tubing	■
Vacuum canister with removable screen (uses 131-053 screen)	■
Pressure adjustment for each handpiece	■
Easy to read pressure gauge	■
Non-retracting water coolant	■
Water coolant ON/OFF and flow control	■
Plated brass valving for long life	■
Asepsis handpiece tubing, sterling (specify straight or coiled)	■
Telescoping arm with breakaway feature, 29" to 40" horizontal reach	■
Soft-touch variable speed foot control	■
7' umbilical tubing	■

Options

Part Number

Price

Water coolant to both handpieces		\$32.00 Add	■
Unit mount post, 28" with bushing	146-202	\$110.00 Add	■
Unit/light post, 40" with bushing	146-203	\$130.00 Add	■
Additional umbilical tubing (per foot)		\$10.00 Add	■

Dual Water Bottle Kits, page 89

Post 110-051 Wall 110-052

\$450.00 \$410.00



Water Bottle Kits, page 89

110-004 110-028

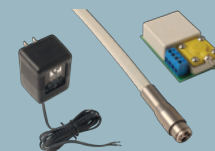
\$144.00 \$180.00



Handpiece Illumination System

with Delay, 5 and 6 pin

pages 95 and 96



Utility Center Assembly

144-018, page 88

\$350.00



Beneath Shelf Mounted System



Filter/Regulators Must Be Ordered Separately

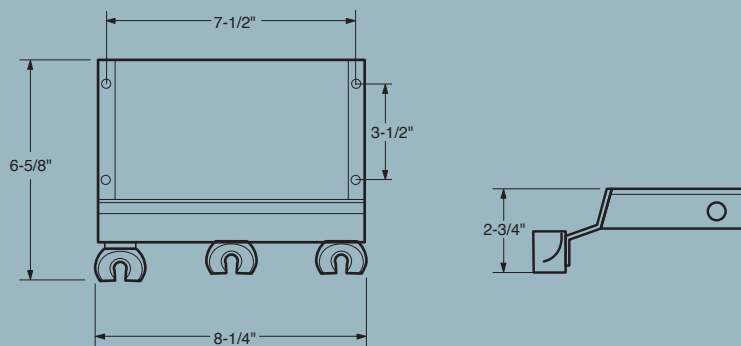
A-250

2 HP Automatic Beneath Shelf Doctor's System
\$700.00

A-230 (not shown)

2 HP Manual Beneath Shelf Doctor's System
\$630.00

Dimensions



Features of beneath shelf mounted systems

A-250

A-230

- Automatic selection for 2 handpieces (1 wet, 1 dry) ■
- Manual selection for 2 handpieces (1 wet, 1 dry) ■
- 3-way syringe with quick change autoclavable tip ■
- Master ON/OFF toggle ■
- Pressure adjustment for each handpiece ■
- Easy to read pressure gauge ■
- Non-retracting water coolant ■
- Water coolant ON/OFF and flow control ■
- Plated brass valving for long life ■
- Asepsis handpiece tubing, sterling (specify straight or coiled) ■
- Soft-touch variable speed foot control ■
- 7' umbilical tubing ■

Options

Part Number

Price

Handpiece coolant purge		\$32.00 Add	■	■
Water coolant to both handpieces		\$32.00 Add	■	■
Additional umbilical tubing (per foot)		\$9.00 Add	■	■

Dual Water Bottle Kits, page 89

Post 110-051 Wall 110-052
\$450.00 \$410.00



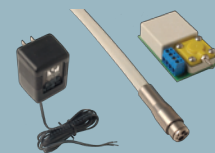
Water Bottle Kits, page 89

110-004 110-028
\$144.00 \$180.00



Handpiece Illumination System

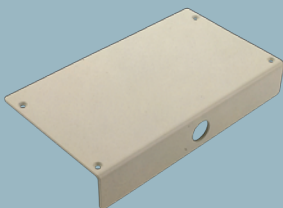
with Delay, 5 and 6 pin
pages 95 and 96



Bracket for 1/2" dia. pin mount
105-060, page 72
\$28.00

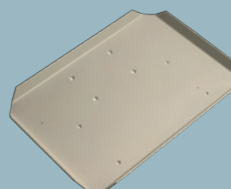
Control Head Cover

101-016
\$35.00



Tray holder for arm mounting

105-074, page 74
\$40.00



Utility Center Assembly

144-018, page 88
\$350.00



Cabinet Mounted Systems



Cabinet is shown for display and not included in price.

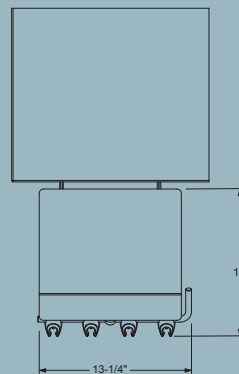
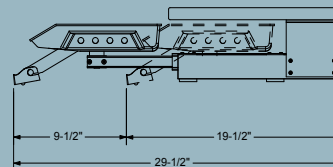
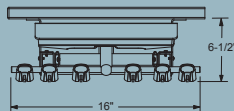
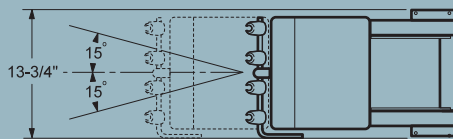
SO-3304

3 HP Automatic Rear Delivery
Slide-out Mount Control Head
\$1,820.00

SO-3354

3 HP Automatic Rear Delivery Slide-out Mount
Control Head with Vacuum
\$2,000.00

Dimensions



Features of cabinet mounted systems

SO-3304 SO-3354

Side-mounted recessed control adjustments	■	■
3-way syringe with quick change autoclavable tip	■	■
Master ON/OFF toggle with indicator	■	■
Pressure adjustment for each handpiece	■	■
Easy to read pressure gauge (protected under cover)	■	■
Air coolant flow adjustment	■	■
Non-retracting water coolant adjustment and purge	■	■
Plated brass valving for long life	■	■
Asepsis handpiece tubing, sterling (specify straight or coiled)	■	■
Vacuum canister with removable 1-7/8" screen (uses 131-052 screen)		■
1 autoclavable HVE and saliva ejector valve with tubing		■
Slide-out mount with 15° pivot left and right	■	■
Soft-touch variable speed foot control	■	■
Utility center assembly (less housing)	■	■
7' umbilical tubing	■	■

Options

Part Number

Price

Delete utility center	144-027	\$230.00 Deduct	■	■
Delete handpiece station with tubing		\$50.00 Deduct	■	■
Additional handpiece station with tubing (dry only)		\$125.00 Add	■	■
Additional syringe on doctor or assistant's side	113-515	\$99.00 Add	■	■
Additional umbilical tubing (per foot)		\$9.00 Add	■	■

Dual Water Bottle Kit
110-052, page 89
\$410.00



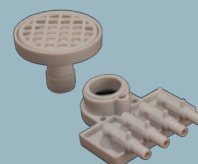
Water Bottle Kit
110-004, page 89
\$144.00



Handpiece Illumination System
with Delay, 5 and 6 pin
pages 95 and 96



Hepa Filter
119-027
\$27.50
page 80



Additional HVE Valve with
Tubing and Holder
030-014
\$73.00 (SO-3354)



Foot Controls, page 91

126-133 Chip Blower	\$86.00 Add
126-160 Wet/Dry	\$85.50 Add
126-203 Wet/Dry Chip Blower	\$133.00 Add

Cabinet Mounted Systems



Cabinet is shown for display and not included in price.

SC-4200

3 HP Automatic Rear Delivery
Swivel Mount Control Head
\$1,750.00

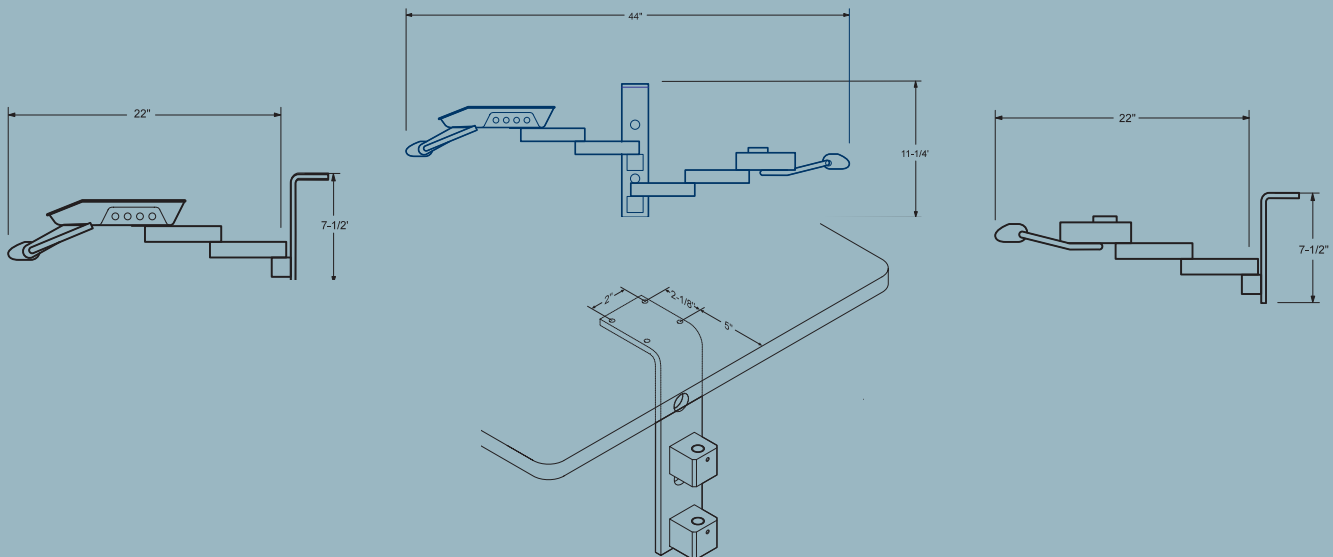
SC-4250

3 HP Automatic IC Rear Delivery Duo
Swing System with Vacuum
\$2,340.00

A-5150

Rear Delivery Assistant's Swivel
Vacuum System
\$690.00

Dimensions



Features of cabinet mounted systems

SC-4200 SC-4250 A-5150

Pivoting arm mounted asepsis designed automatic selection for 3 handpieces	■	■	
Side-mounted recessed control adjustments	■	■	
3-way syringe with quick change autoclavable tip	■	■	■
Master ON/OFF toggle with indicator	■	■	
Pressure adjustment for each handpiece	■	■	
Easy to read pressure gauge (protected under cover)	■	■	
Air coolant flow adjustment	■	■	
Non-retracting water coolant adjustment and purge	■	■	
Plated brass valving for long life	■	■	
Asepsis handpiece tubing, sterling (specify straight or coiled)	■	■	
Pivoting arm mounted vacuum canister with removable screen (uses 131-053 screen)	■	■	■
1 autoclavable HVE and saliva ejector valve with tubing	■	■	■
Soft-touch variable speed foot control	■	■	
Utility center assembly (less housing and cover)	■	■	
7' umbilical tubing	■	■	■

Options

Part Number

Price

Delete utility center less housing	144-027	\$230.00 Deduct	■	■
Delete handpiece station with tubing		\$50.00 Deduct	■	■
Additional handpiece station with tubing (dry only)		\$125.00 Add	■	■
Additional umbilical tubing (per foot)		\$9.00 Add	■	■
Additional syringe for doctor or assistant's side	113-515	\$99.00 Add		■
Additional umbilical tubing (per foot)		\$5.00 Add		■

Dual Water Bottle Kit

110-052, page 89

\$410.00 (SC-4200 & SC-4250)



Water Bottle Kit

110-004, page 89

\$144.00 (SC-4200 & SC-4250)



Additional HVE Valve with Tubing and Holder

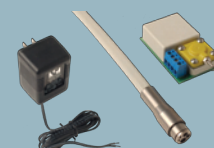
030-014

\$73.00 (A-5150 & SC-4250)



Handpiece Illumination System with Delay, 5 and 6 pin

pages 95 and 96

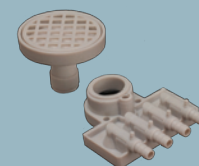


Hepa Filter

119-027

\$27.50

page 80



Foot Controls, page 91

126-133 Chip Blower \$86.00 Add

126-160 Wet/Dry \$85.50 Add

126-203 Wet/Dry Chip Blower \$133.00 Add

Cabinet Mounted Systems

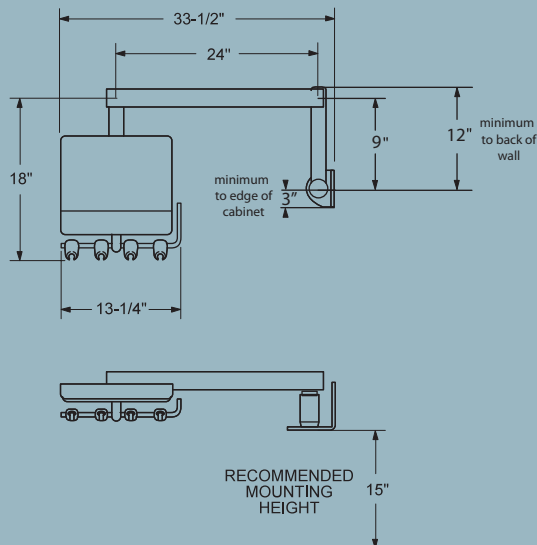


Cabinet is shown for display and not included in price.

SD-3302

3 HP Automatic Doctor's Side Delivery
with Pneumatic Brake Flex Arm
\$3,070.00

Dimensions



Features of cabinet mounted systems

SD-3302

Asepsis designed automatic selection for 3 handpieces	■
Side-mounted recessed control adjustments	■
3-way syringe with quick change autoclavable tip	■
Master ON/OFF toggle with indicator	■
Pressure adjustment for each handpiece	■
Easy to read pressure gauge (protected under cover)	■
Air coolant flow adjustment	■
Non-retracting water coolant adjustment and purge	■
Plated brass valving for long life	■
Asepsis handpiece tubing, sterling (specify straight or coiled)	■
Asepsis flex arm system with pneumatic brake, 9" rigid arm, 39" reach, 19" vertical travel	■
2" dia. wall mount bracket	■
Soft-touch variable speed foot control	■
Utility center assembly (less housing and cover)	■
7' umbilical tubing	■

Options

Part Number

Price

Delete utility center (less housing and cover)	144-027	\$240.00 Deduct	■
Delete handpiece station with tubing		\$50.00 Deduct	■
Additional handpiece station with tubing (dry only)		\$126.00 Add	■
2" dia. post mount rigid arm, 24"	106-302	n/c	■
Additional umbilical tubing (per foot)		\$9.50 Add	■

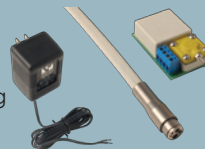
Dual Water Bottle Kit
110-052, page 89
\$430.00



Water Bottle Kit
110-004, page 89
\$148.00



Handpiece Illumination System
with Delay, 5 and 6 pin
pages 95 and 96



Utility Center Housing
144-015, page 88
\$93.00



Wall Mount Board
106-209
\$60.00



Wall Mounting Plate
105-316
\$120.00



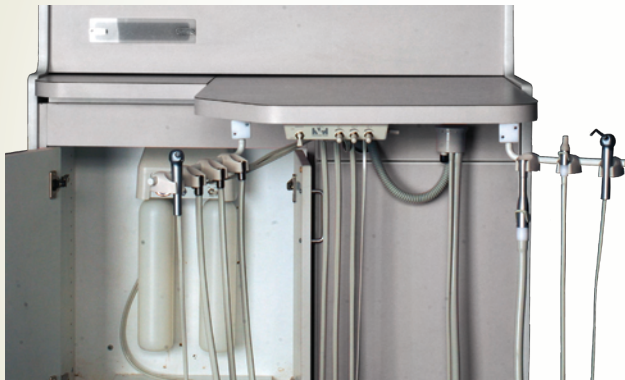
Hepa Filter
119-027
\$27.50
page 80



Foot Controls, page 91

126-133 Chip Blower	\$86.00 Add
126-160 Wet/Dry	\$82.00 Add
126-203 Wet/Dry Chip Blower	\$133.00 Add

Rear Delivery Systems



Cabinet is shown for display and not included in price.

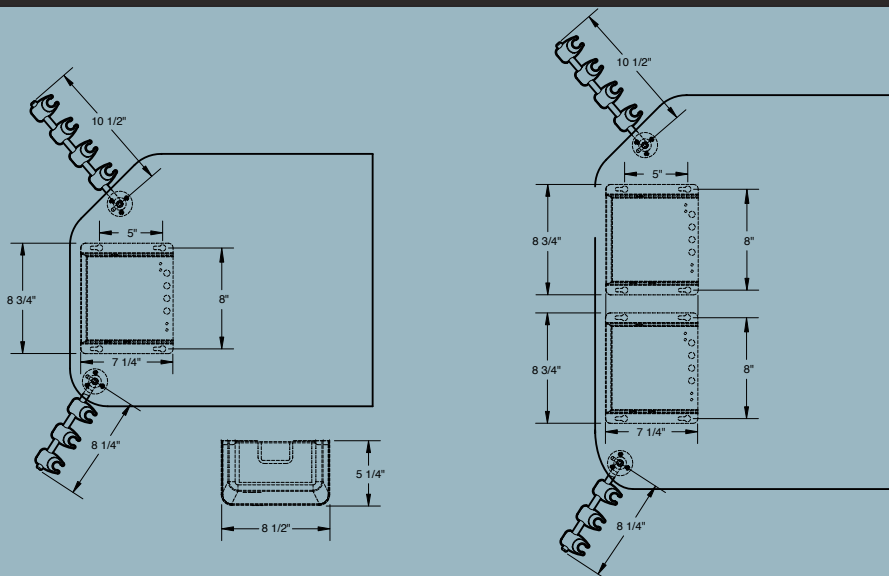
RD-3000

3 HP Automatic Rear Delivery
Beneath Shelf Mount Control Head
with Dual Water Bottle System
\$2,520.00

RD-3001

3 HP Automatic Rear Delivery
Beneath Shelf Mount Control Head
\$2,420.00

Dimensions



<i>Features of rear delivery systems</i>	<i>RD-3000</i>	<i>RD-3001</i>
Automatic selection for 3 handpieces	■	■
Integrated dual bottle system	■	
Standard air and water quick disconnects	■	
Individual handpiece water coolant control	■	■
Individual handpiece pressure adjustment	■	■
Doctor's side has 10-1/2" cabinet mounted pivoting bar	■	■
Assistant's side has 8-1/2" cabinet mounted pivoting holder bar with vacuum trap	■	■
1 each HVE, SE and IC syringe	■	■
Soft-touch variable speed foot control	■	■
Vacuum canister with removable screen (uses 131-052 screen)	■	■
Dual 3-way syringes with quick change autoclavable tip	■	■
Master ON/OFF toggle	■	■
Plated brass valving for long life	■	■
Asepsis handpiece tubing, sterling (specify straight or coiled)	■	■
Master valve assembly with filter and regulator	■	■
7' umbilical tubing	■	■

<i>Options</i>	<i>Part Number</i>	<i>Price</i>		
Delete handpiece station with tubing		\$50.00 Deduct	■	■
1/4" air or water quick disconnect	030-010	\$21.00 Add		■
Additional umbilical tubing (per foot)		\$9.00 Add	■	■

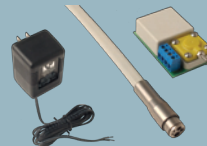
Dual Water Bottle Kit
110-052, page 89
\$410.00 (RD-3001)



Water Bottle Kit
110-004, page 89
\$144.00 (RD-3001)



Handpiece Illumination System
with Delay, 5 and 6 pin
pages 95 and 96



Additional HVE Valve with
Tubing and Holder
030-014
\$73.00



Foot Controls, page 91

126-133 Chip Blower	\$86.00 Add
126-160 Wet/Dry	\$85.50 Add
126-203 Wet/Dry Chip Blower	\$133.00 Add

Rear Delivery Systems



Filter/Regulators Must Be Ordered Separately

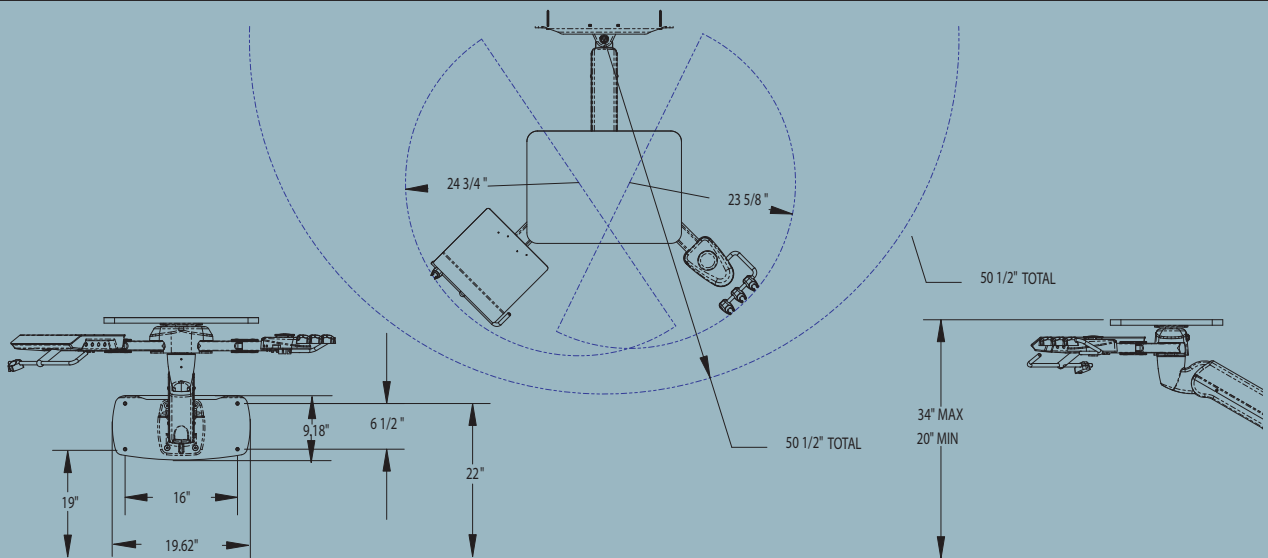
RD-4250

3 HP Automatic Rear Delivery
Wall Mounted Duo System with Pneumatic Brake Flex Arm
\$5,350.00

RD-4251

Wall Mounted Assistant's Side Only
with Pneumatic Brake Flex Arm
\$3,825.00

Dimensions



Features of rear delivery systems

RD-4250

RD-4251

Automatic selection for 3 handpieces	■	
Individual handpiece water coolant control	■	
Individual handpiece pressure adjustment	■	
1 each HVE, SE and IC syringe	■	■
Soft-touch variable speed foot control	■	
Vacuum canister with removable screen (uses 131-053 screen)	■	■
Dual 3-way syringes with quick change autoclavable tip	■	
Master ON/OFF toggle	■	
Plated brass valving for long life	■	
Asepsis handpiece tubing, sterling (specify straight or coiled)	■	
Large work surface with rounded edge moulding, 16" x 22", Nevamar Dove Gray S-6-3T	■	■
Master valve assembly with filter and regulator	■	
7' umbilical tubing	■	■
Wall Mounting Plate	■	■

Options

Part Number

Price

Delete handpiece station with tubing		\$50.00 Deduct	■	
1/4" water quick disconnect	030-010	\$21.00 Add	■	
Additional umbilical tubing (per foot)		\$9.00 Add	■	■
Storage organizer	110-016	\$250.00 Add	■	■
Delete Wall Mount Plate	105-316	\$120.00 Deduct	■	■
QD Kit (3/8" QD's with mounting bracket and hardware)	030-013	\$47.00 Add	■	■
QD Kit (1/4" QD's with mounting bracket and hardware)	030-015	\$25.00 Add	■	■

Dual Water Bottle Kit
110-052, page 89
\$410.00



Water Bottle Kit
110-004, page 89
\$144.00



10" Extension Arm
105-315
Call for Pricing



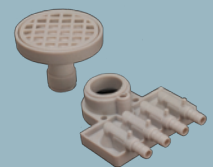
Utility Center Housing
144-015, page 88
\$90.00



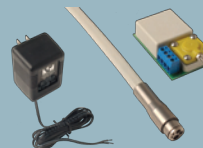
Additional HVE Valve with
Tubing and Holder
030-014
\$73.00



Hepa Filter
119-027
\$27.50
page 80



Handpiece Illumination System
with Delay, 5 and 6 pin
pages 95 and 96



(RD-4250 Only) Foot Controls, page 91

126-133 Chip Blower	\$86.00 Add
126-160 Wet/Dry	\$85.50 Add
126-203 Wet/Dry Chip Blower	\$133.00 Add

Cart Systems



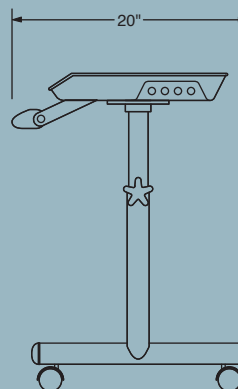
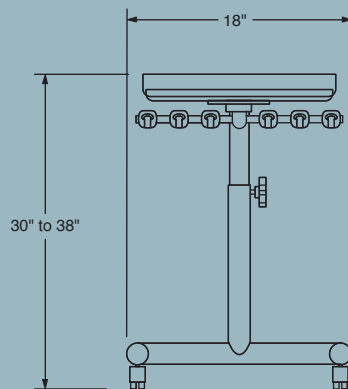
S-4100

3 HP Automatic Doctor's Cart
\$2,120.00

S-4150

3 HP Automatic Duo Cart with Vacuum
\$2,360.00

Dimensions



Features of cart systems

	S-4100	S-4150
Asepsis designed automatic selection for 3 handpieces	■	■
Side-mounted control adjustments	■	■
3-way syringe with quick change autoclavable tip	■	■
Master ON/OFF toggle with indicator	■	■
Pressure adjustment for each handpiece	■	■
Easy to read pressure gauge (protected under cover)	■	■
Non-retracting water coolant adjustment, air coolant adjustment and purge	■	■
Plated brass valving for long life	■	■
Asepsis handpiece tubing, sterling (specify straight or coiled)	■	■
Painted H-frame with height adjustment, 27" to 35"	■	■
Vacuum canister with removable screen (uses 131-053 screen)		■
1 autoclavable HVE and saliva ejector valve, tubing and holder		■
Soft-touch variable speed foot control	■	■
Utility center assembly, 14" x 9" x 5-3/8"	■	■
7' umbilical tubing	■	■

Options

Part Number

Price

Delete utility center	144-018	\$315.00 Deduct	■	■
Delete handpiece station with tubing		\$50.00 Deduct	■	■
Additional handpiece station with tubing (dry only)		\$125.00 Add	■	■
Additional syringe for doctor or assistant's side	113-515	\$99.00 Add	■	■
Additional umbilical tubing (per foot)		\$9.00 Add	■	■

Dual Water Bottle Kit

110-051, page 89

\$450.00



Water Bottle Kits, page 89

110-004

\$144.00



110-028

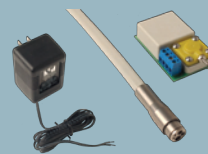
\$180.00



Handpiece Illumination System

with Delay, 5 and 6 pin

pages 95 and 96

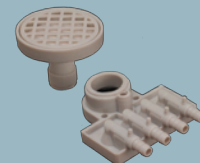


Hepa Filter

119-027

\$27.50

page 80



Additional HVE Valve with

Tubing and Holder

030-014

\$73.00 (S-4150)



Foot Controls, page 91

126-133 Chip Blower	\$86.00 Add
126-160 Wet/Dry	\$85.50 Add
126-203 Wet/Dry Chip Blower	\$133.00 Add

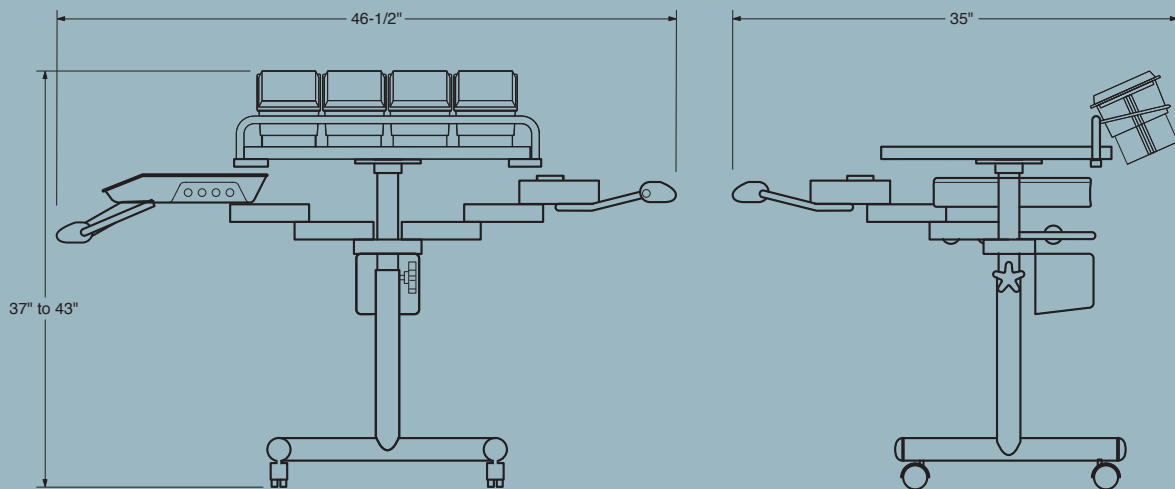
Cart Systems



S-4250

3 HP Automatic Duo Swing Cart
with Vacuum
\$3,450.00

Dimensions



Features of cart systems

S-4250

Pivoting arm mounted asepsis designed automatic selection for 3 handpieces	■
Side-mounted control adjustments	■
360° swing for easy left/right conversion	■
Master ON/OFF toggle with indicator	■
Pressure adjustment for each handpiece	■
Easy to read pressure gauge (protected under cover)	■
Non-retracting water coolant, air coolant adjustment and purge	■
Plated brass valving for long life	■
Asepsis handpiece tubing, sterling (specify straight or coiled)	■
Large work surface with rounded edge moulding, 16" x 22", Nevamar Dove Gray S-6-3T	■
Storage organizer assembly	■
Painted H-frame with height adjustment, 27" to 35"	■
Pivoting arm mounted vacuum canister with removable screen (uses 131-053 screen)	■
3-way syringe with quick change autoclavable tip	■
1 autoclavable HVE and saliva ejector valve, tubing and holder	■
Soft-touch variable speed foot control	■
Utility center assembly, 14" x 9" x 5-3/8"	■
7' umbilical tubing	■

Options

Part Number

Price

Delete utility center	144-018	\$315.00 Deduct	■
Delete handpiece station with tubing		\$50.00 Deduct	■
Additional handpiece station with tubing (dry only)		\$125.00 Add	■
Additional syringe on doctor's side	113-515	\$99.00 Add	■
Delete storage organizer	110-016	\$220.00 Deduct	■
QD Kit (1/4" and 3/8" QD's with mounting bracket and hardware)	030-013	\$47.00 Add	■
Additional umbilical tubing (per foot)		\$9.00 Add	■

Dual Water Bottle Kit
110-051, page 89
\$450.00



Water Bottle Kits, page 89
110-004 \$144.00
110-028 \$180.00



Handpiece Illumination System
with Delay, 5 and 6 pin
pages 95 and 96



Hepa Filter
119-027
\$27.50
page 80

Additional HVE Valve with
Tubing and Holder
030-014
\$73.00



Arm-mounted Tray Holder
105-053, page 74
\$258.00



Foot Controls, page 91

126-133 Chip Blower	\$86.00 Add
126-160 Wet/Dry	\$85.50 Add
126-203 Wet/Dry Chip Blower	\$133.00 Add

Cart Systems



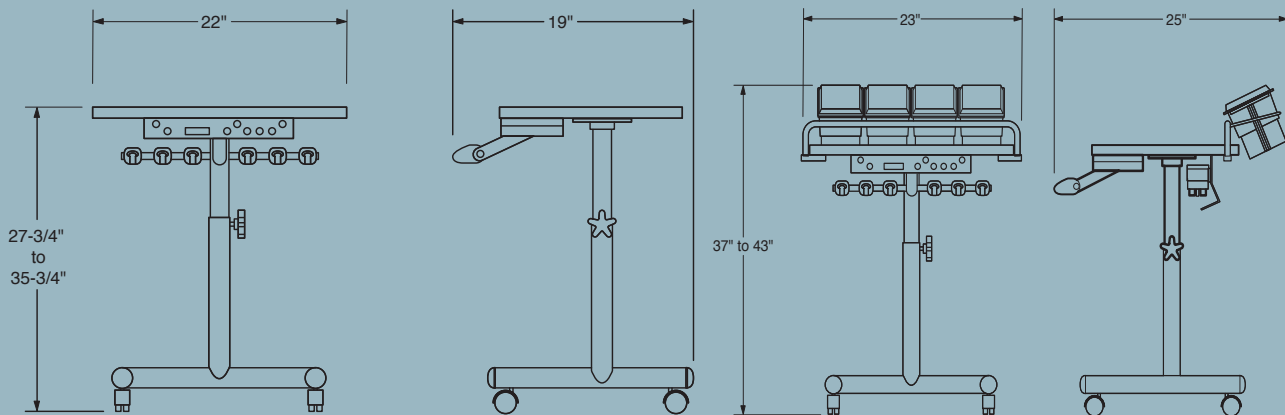
A-4100

3 HP Automatic Doctor's Cart
\$2,240.00

A-4150

3 HP Automatic Doctor's Cart
with Vacuum
\$2,640.00

Dimensions



Features of cart systems

A-4100

A-4150

Automatic selection for 3 handpieces	■	■
3-way syringe with quick change autoclavable tip	■	■
Master ON/OFF toggle with indicator	■	■
Pressure adjustment for each handpiece	■	■
Easy to read pressure gauge	■	■
Non-retracting water coolant adjustment, air coolant adjustment and purge	■	■
Plated brass valving for long life	■	■
Asepsis handpiece tubing, sterling (specify straight or coiled)	■	■
Large work surface with rounded edge moulding, 16" x 22", Nevamar Dove Gray S-6-3T	■	■
Storage organizer assembly		■
Painted H-frame with height adjustment, 27" to 35"	■	■
Vacuum canister with removable screen (uses 131-052 screen)		■
1 autoclavable HVE and saliva ejector valve with tubing		■
Soft-touch variable speed foot control	■	■
Utility center assembly, 14" x 9" x 5-3/8"	■	■
7' umbilical tubing	■	■

Options

Part Number

Price

Delete utility center	144-018	\$315.00 Deduct	■	■
Delete handpiece station with tubing		\$50.00 Deduct	■	■
Additional handpiece station with tubing (dry only)		\$125.00 Add	■	■
Additional syringe on assistants side	113-515	\$99.00 Add	■	■
Delete storage organizer assembly	110-016	\$220.00 Deduct		■
QD Kit (1/4" and 3/8" w/mounting bracket and hardware)	030-013	\$47.00 Add	■	■
Additional QD Kit (1/4" with mounting bracket)	030-015	\$25.00 Add	■	■
Additional umbilical tubing (per foot)		\$9.00 Add	■	■

Dual Water Bottle Kit

110-051, page 89

\$450.00



Water Bottle Kits, page 89

110-004

\$144.00



110-028

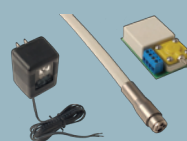
\$180.00



Handpiece Illumination System

with Delay, 5 and 6 pin

pages 95 and 96



Arm-mounted Tray Holder

105-053, page 74

\$258.00



Additional HVE Valve with

Tubing and Holder

030-014

\$73.00 (A-4150)



Foot Controls, page 91

126-133 Chip Blower \$86.00 Add

126-160 Wet/Dry \$85.50 Add

126-203 Wet/Dry Chip Blower \$133.00 Add

Cart Systems



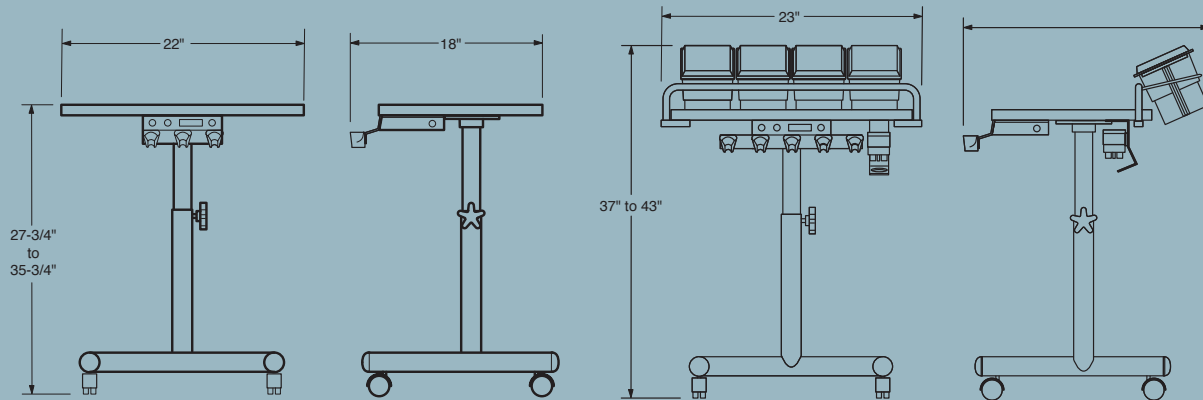
A-2100

2 HP Automatic Cart
\$1,750.00

A-2150

2 HP Automatic Hygienist's Cart
\$2,150.00

Dimensions



Features of cart systems

A-2100 A-2150

Automatic selection for 2 handpieces (1 wet, 1 dry)	■	■
3-way syringe with quick change autoclavable tip	■	■
Master ON/OFF toggle	■	■
Pressure adjustment for each handpiece	■	■
Non-retracting water coolant	■	■
Water coolant ON/OFF and flow control	■	■
Easy to read pressure gauge	■	■
Plated brass valving for long life	■	■
Asepsis handpiece tubing, sterling (specify straight or coiled)	■	■
Large work surface with rounded edge moulding, 16" x 22", Nevamar Dove Gray S-6-3T	■	■
Storage organizer assembly		■
Painted H-frame with height adjustment, 27" to 35"	■	■
Vacuum canister with removable screen (uses 131-052 screen)		■
1 autoclavable HVE and saliva ejector valve with tubing		■
Soft-touch variable speed foot control	■	■
Utility center assembly, 14" x 9" x 5-3/8"	■	■
7' umbilical tubing	■	■

Options

Part Number

Price

Delete utility center	144-018	\$315.00 Deduct	■	■
Water coolant to both handpieces		\$32.00 Add	■	■
Handpiece coolant purge		\$32.00 Add	■	■
1/4" air or water quick disconnect	030-010	\$21.00 Add	■	■
QD Kit (1/4" and 3/8" with mounting bracket and hardware)	030-013	\$47.00 Add	■	■
Delete storage organizer assembly	110-016	\$220.00 Deduct		■
Additional umbilical tubing (per foot)		\$9.00 Add	■	■

Dual Water Bottle Kit

110-051, page 89

\$450.00



Water Bottle Kits, page 89

110-004

110-028

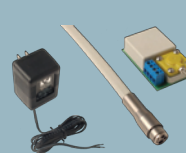
\$144.00

\$180.00



Handpiece Illumination System

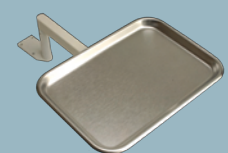
with Delay, 5 and 6 pin
pages 95 and 96



Arm-mounted Tray Holder

105-053, page 74

\$258.00



Cart Systems



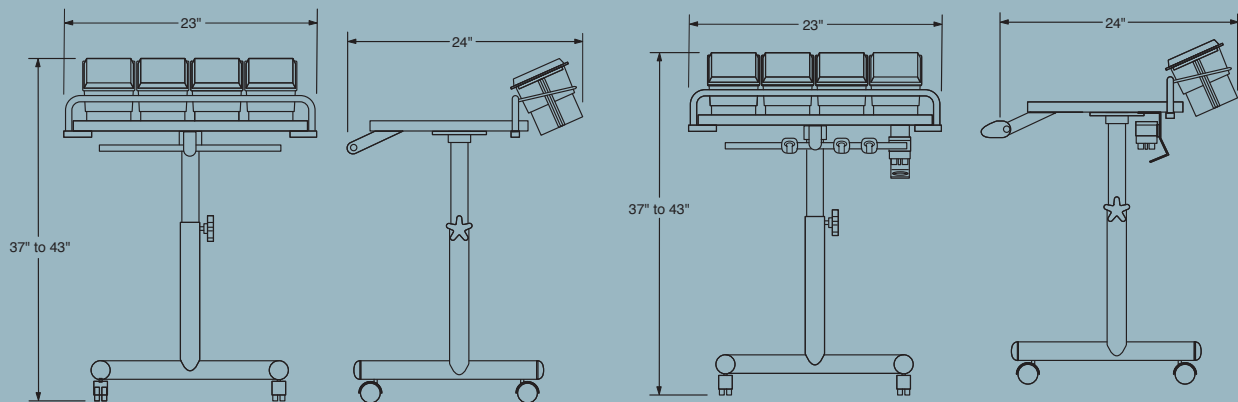
A-4500

Assistant's Cart
\$1,020.00

A-4550

Assistant's Cart with Vacuum
\$1,390.00

Dimensions



Features of rear delivery systems

A-4500

A-4550

Large work surface with rounded edge moulding, 16" x 22", Nevamar Dove Gray S-6-3T	■	■
Storage organizer assembly	■	■
Painted H-frame with height adjustment, 27" to 35"	■	■
Vacuum canister with removable screen (uses 131-052 screen)		■
3-way syringe with quick change autoclavable tip		■
1 autoclavable HVE and saliva ejector valve with tubing		■
7' umbilical tubing		■

Options

Part Number

Price

Delete storage organizer assembly	110-016	\$220.00 Deduct	■	■
QD Kit (1/4" and 3/8" with mounting bracket and hardware)	030-013	\$47.00 Add		■
Additional umbilical tubing (per foot)		\$9.00 Add		■

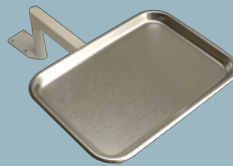
Water Bottle Kits, page 89

110-004 110-028
\$144.00 \$180.00



Arm-mounted Tray Holder

105-053, page 74
\$258.00



Utility Center Assembly

144-018, page 88
\$350.00



Additional HVE Valve
with Tubing and Holder

030-014
\$73.00 (A-4550)



Handpiece Control Heads



*Filter/Regulators Must
Be Ordered Separately*

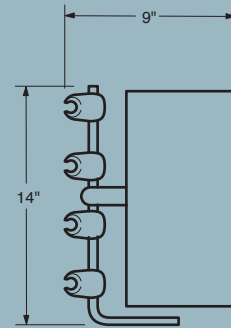
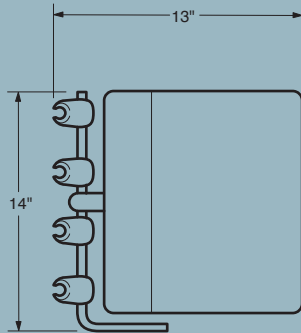
S-330

3 HP Automatic Control Head Only (tray not included)
\$1,380.00

A-300

3 HP Automatic Control Head Only
\$1,240.00

Dimensions



Features of Control head systems

S-330 A-300

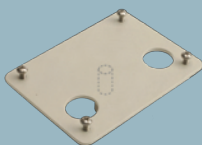
Automatic selection for 3 handpieces	■	■
Side-mounted recessed control adjustments	■	
3-way syringe with quick change autoclavable tip	■	■
Master ON/OFF toggle with indicator	■	■
Pressure adjustment for each handpiece	■	■
Non-retracting water coolant adjustment and purge	■	■
Water coolant ON/OFF and flow control	■	■
Easy to read pressure gauge	■	■
Air coolant flow adjustment	■	■
Plated brass valving for long life	■	■
Asepsis handpiece tubing, sterling (specify straight or coiled)	■	■
Soft-touch variable speed foot control	■	■
7' umbilical tubing	■	■

Options

Part Number Price

Delete handpiece station with tubing		\$50.00 Deduct	■	■
Additional handpiece station with tubing (dry only)		\$120.00 Add	■	■
Add stainless steel tray, 10" x 6-1/2" and pad	010-002	\$50.40 Add	■	■
Add stainless steel tray, 9 3/4" x 13-1/2" and pad	010-001	\$55.65 Add	■	■
Add plastic tray, 9 3/4" x 13-1/2"	010-051	\$15.00 Add	■	■
Additional umbilical tubing (per foot)		\$5.00 Add	■	■

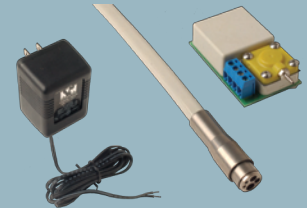
Bracket for 1/2" dia. pin mount
105-060, page 72
\$28.00



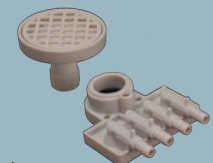
Utility Center Assembly
144-018, page 88
\$350.00



Handpiece Illumination System
with Delay, 5 and 6 pin
pages 95 and 96



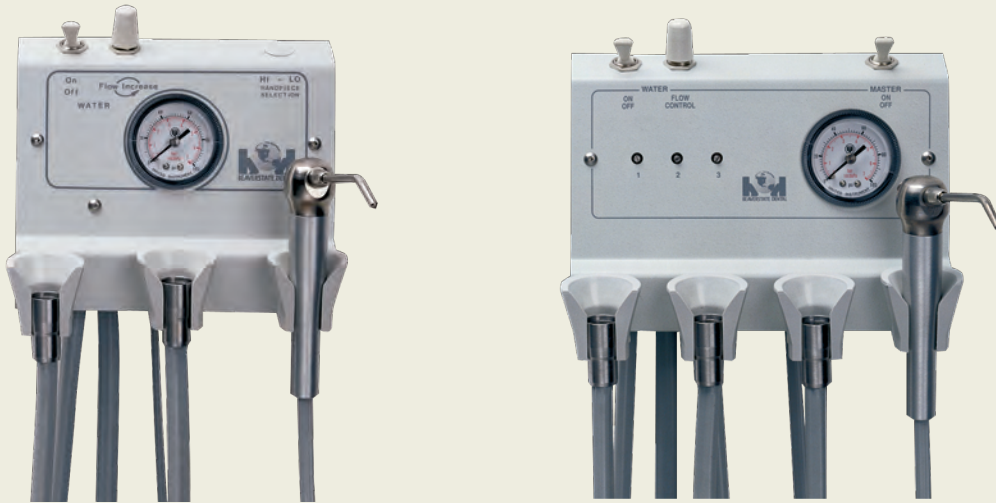
Hepa Filter
119-027
\$27.50
page 80
(S-330 head only)



Foot Controls, page 91

126-133 Chip Blower	\$86.00 Add
126-160 Wet/Dry	\$85.50 Add
126-203 Wet/Dry Chip Blower	\$133.00 Add

Wall Mounted Handpiece Controls



Filter/Regulators Must Be Ordered Separately

A-220

2 HP Automatic Control
\$590.00

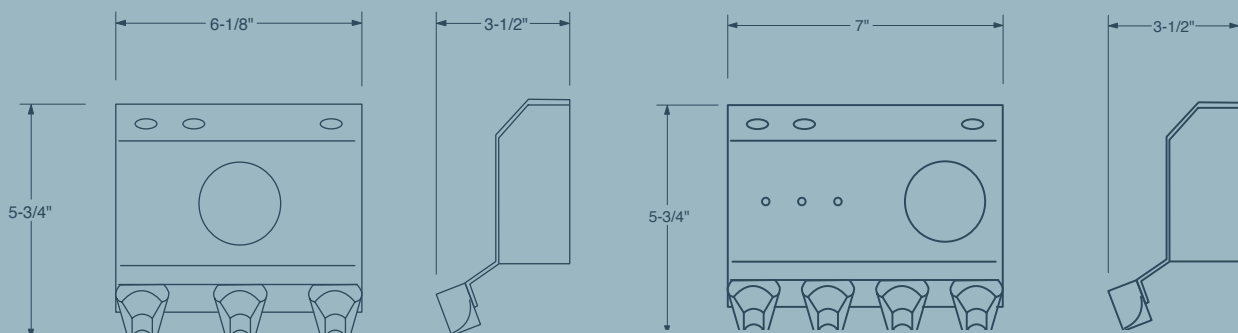
A-400

3 HP Automatic Control
\$920.00

A-222

2 H Automatic Control, Both HP's Wet
\$630.00

Dimensions



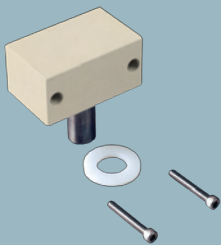
Features of wall mounted handpiece controls A-220 A-222 A-400

Automatic selection for 2 handpieces	■	■	
Automatic selection for 3 handpieces			■
3-way syringe with quick change autoclavable tip	■	■	■
Master ON/OFF toggle			■
Pressure adjustment for each handpiece	■	■	■
Non-retracting water coolant adjustment for 2 handpieces		■	
Non-retracting water coolant adjustment for 1 handpiece (1 wet, 1 dry)	■		
Easy to read pressure gauge	■	■	■
Plated brass valving for long life	■	■	■
Asepsis handpiece tubing, sterling (specify straight or coiled)	■	■	■
Soft-touch variable speed foot control	■	■	■
7' umbilical tubing			■
7' of 1/4" supply	■	■	

Options Part Number Price

Additional umbilical tubing (per foot)	115-505	\$9.00 Add			■
Additional air supply tubing (per foot)	115-720	\$2.00 Add	■	■	

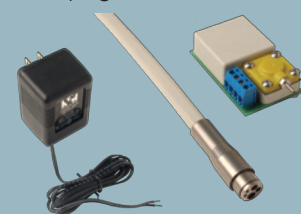
1/2" Pivot Mount
103-065, page 72
\$27.30



Utility Center Assembly
144-018, page 88
\$350.00



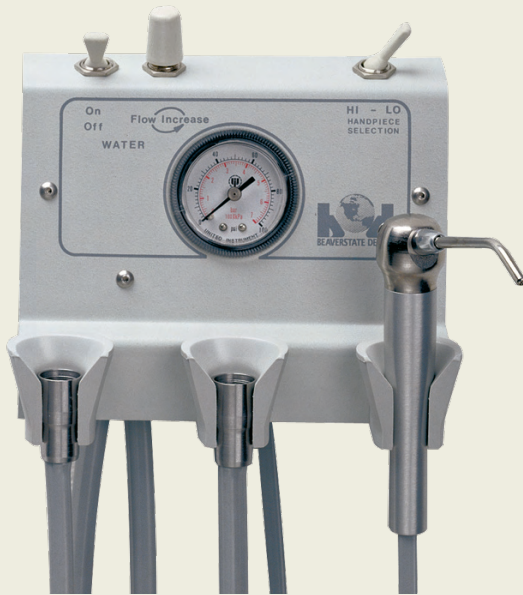
Handpiece Illumination System
with Delay, 5 and 6 pin
pages 95 and 96



Horizontal Surface Mount Bracket
105-063, page 73
\$16.00



Wall Mounted Handpiece Controls



Filter/Regulators Must Be Ordered Separately

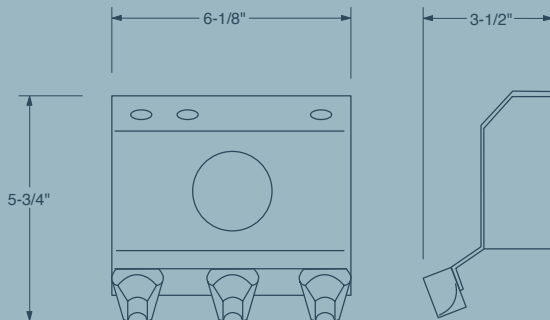
A-200

2 HP Manual Control
\$525.00

A-202

2 HP Manual Control, Both HP's Wet
\$560.00

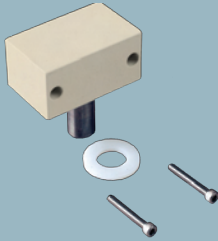
Dimensions



<i>Features of wall mounted handpiece controls</i>	<i>A-200</i>	<i>A-202</i>
Manual selection for 2 handpieces	■	■
3-way syringe with quick change autoclavable tip	■	■
Individual handpiece pressure adjustment	■	■
Non-retracting water coolant adjustment for 1 handpiece (1 wet, 1 dry)	■	
Non-retracting water coolant adjustment for 2 handpieces		■
Water coolant adjustment	■	■
Easy to read pressure gauge	■	■
Plated brass valving for long life	■	■
Asepsis handpiece tubing, sterling (specify straight or coiled)	■	■
Soft-touch variable speed foot control	■	■
7' of 1/4" supply line	■	■

<i>Options</i>	<i>Part Number</i>	<i>Price</i>		
Additional air supply tubing (per foot)	115-720	\$2.00 Add	■	■

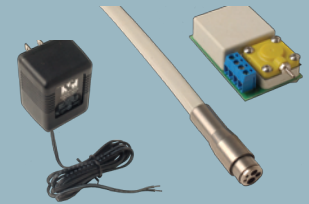
1/2" Pivot Mount
103-065, page 72
\$27.30



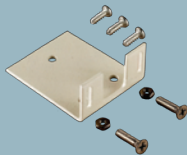
Utility Center Assembly
144-018, page 88
\$350.00



Handpiece Illumination System
with Delay, 5 and 6 pin
pages 95 and 96



Horizontal Surface Mount Bracket
105-063, page 73
\$16.00



Wall Mounted Handpiece Controls



Filter/Regulators Must Be Ordered Separately

A-100

1 HP Control
\$465.00

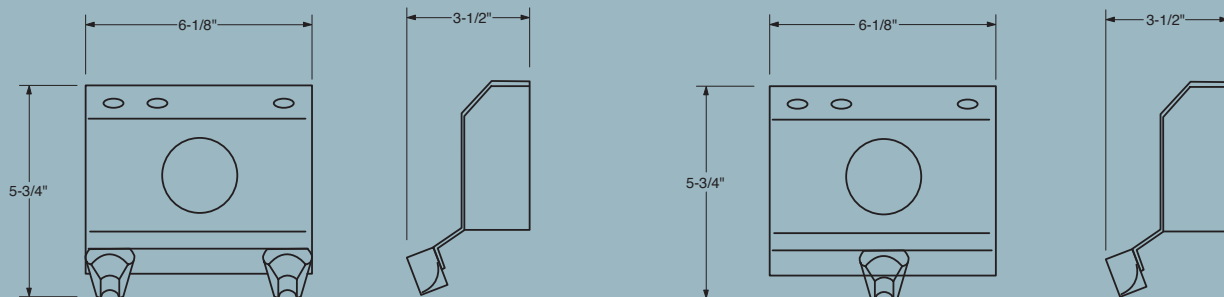
A-050

Lab HP Control Kit
\$230.00

A-101

Lab HP Control
\$272.00

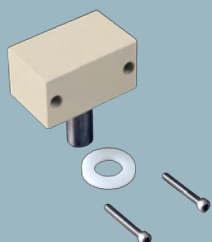
Dimensions



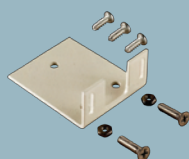
Features of wall mounted handpiece controls A-100 A-101 A-050

Features of wall mounted handpiece controls	A-100	A-101	A-050
Single handpiece control with coolant	■		
Single handpiece control without coolant		■	■
3-way syringe with quick change autoclavable tip	■		
Handpiece pressure adjustment	■	■	■
Non-retracting water coolant	■		
Water coolant ON/OFF and flow control	■		
Easy to read pressure gauge	■	■	■
Plated brass valving for long life	■	■	■
Asepsis handpiece tubing, sterling (specify straight or coiled)	■	■	■
Soft-touch variable speed foot control	■	■	■
7' umbilical tubing	■		
7' of 1/4" supply line		■	■

1/2" Pivot Mount
103-065, page 72
\$27.30



Horizontal Surface Mount Bracket
105-063, page 73
\$16.00



Utility Center Assembly
144-018, page 88
\$350.00



Panel Mounted Handpiece Controls



Filter/Regulators Must Be Ordered Separately



PM-200

2 HP Manual Control
\$680.00

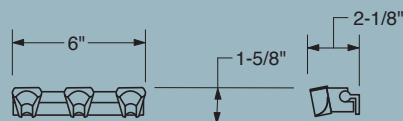
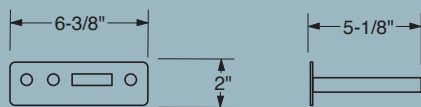
PM-400

3 HP Automatic Control
\$1,010.00

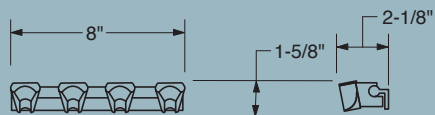
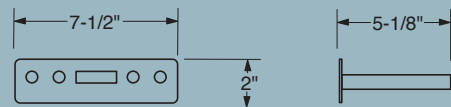
PM-220 (not shown)

2 HP Automatic Control
\$770.00

Dimensions



Cutout Dimensions: 5-1/2" x 1-3/4"



Cutout Dimensions: 6-5/8" x 1-3/4"

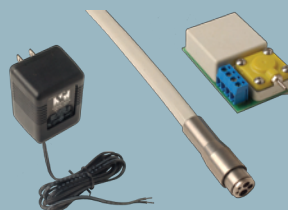
<i>Features of PM handpiece controls</i>	<i>PM-200</i>	<i>PM-220</i>	<i>PM-400</i>
Automatic selection for 3 handpieces			■
Automatic selection for 2 handpieces		■	
Manual selection for 2 handpieces	■		
3-way syringe with quick change autoclavable tip	■	■	■
Instrument holder bar, 6"	■	■	
Instrument holder bar, 8"			■
Master ON/OFF toggle with indicator			■
Pressure adjustment for each handpiece	■	■	■
Non-retracting water coolant adjustment for each handpiece			■
Water coolant adjustment, for 3 handpieces			■
Water coolant adjustment, high speed handpiece only		■	■
Easy to read pressure gauge	■	■	■
Plated brass valving for long life	■	■	■
Asepsis handpiece tubing, sterling (specify straight or coiled)	■	■	■
Soft-touch variable speed foot control	■	■	■
7' of 1/4" supply line	■	■	■

<i>Options</i>	<i>Part Number</i>	<i>Price</i>		
Water coolant to both handpieces		\$32.00 Add	■	■
Additional supply line (per foot)	115-720	\$2.00 Add	■	
Additional umbilical tubing (per foot)	115-505	\$9.00 Add		■

Utility Center Assembly
144-018, page 88
\$350.00



Handpiece Illumination System
with Delay, 5 and 6 pin
pages 95 and 96



Cuspidors

Post NOT Included, if Needed, Length must be Specified



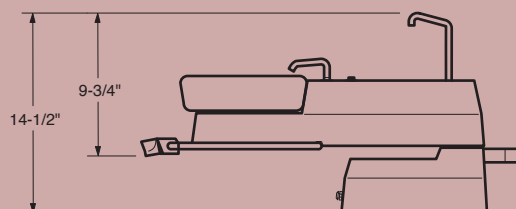
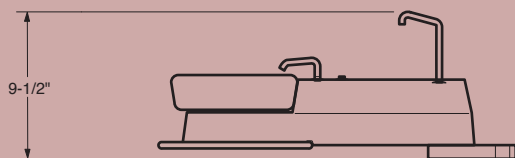
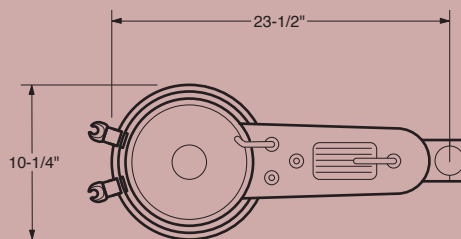
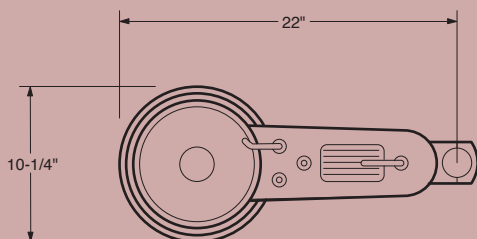
C-3200

Asepsis Design Cuspidor
\$900.00

C-3250

Asepsis Design Cuspidor with Vacuum
Accessory Group and water QD
\$1,242.00

Dimensions



<i>Features of cuspidors</i>	<i>C-3200</i>	<i>C-3250</i>
Easy clean asepsis design	■	■
Ceramic bowl	■	■
Quick release autoclavable cup filler and bowl rinse spout	■	■
Adjustable timed bowl rinse	■	■
Gravity drain with dual venting	■	■
Vacuum canister with removable screen (uses 131-052 screen)		■
1 autoclavable HVE and saliva ejector valve with tubing		■
1/4" Female water quick disconnect		■
Low voltage electric vacuum switch		■
2" dia. post mount	■	■
6' umbilical tubing	■	■

<i>Options</i>	<i>Part Number</i>	<i>Price</i>		
1/4" air or water quick disconnect	030-010	\$21.00 Add	■	
Additional umbilical (per foot)		\$7.00 Add		■
Additional umbilical (per foot)		\$5.00 Add	■	
Timed cup filler	132-121	\$150.00 Add	■	■

<p>Shatterproof Polycarbonate Bowl 132-114, page 104 Deduct \$16.00</p> 	<p>Additional HVE Valve with Tubing and Holder (C-3250 only) 030-016 \$72.50</p> 	<p>3-way Syringe with Quick Change Autoclavable Tip with Tubing and Holder 113-514 \$99.50</p> 
---	--	--

Vacuum Arm Systems

Post NOT Included, if Needed, Length must be Specified



A-5200

Telescoping Arm System with Vacuum Package
1 HVE, 1 SE, 1 Syringe
\$793.00



A-5000

Horizontal Folding Arm, 24", 2" Post Mount
with Vacuum Package
\$620.00

A-5221 (not shown)

Telescoping Arm System with Vacuum Package
1 HVE, 1 SE, no Syringe
\$696.50

A-5032 (not shown)

Horizontal Folding Arm, 32", 2" Post Mount
with Vacuum Package
\$626.00

A-5222 (not shown)

Telescoping Arm System with Vacuum Package
2 HVE, 1 SE, no Syringe
\$746.50

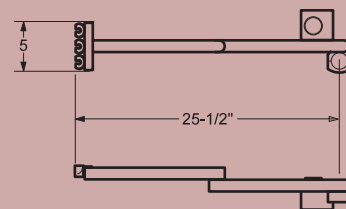
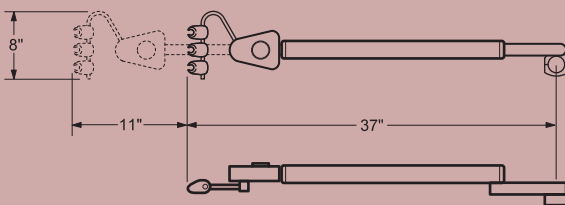
A-5124 (not shown)

Horizontal Folding Arm, 24", Wall Mount
with Vacuum Package
\$606.00

A-5132 (not shown)




Horizontal Folding Arm, 32", Wall Mount
with Vacuum Package
\$612.00

Dimensions



<i>Features of vacuum arm systems</i>	<i>A-5200</i>	<i>A-5221</i>	<i>A-5222</i>
Telescoping arm with breakaway feature, 31" to 42" horizontal reach	■	■	■
Holder bar with 3 holders	■		■
3-way syringe with quick change autoclavable tip	■		
Flow adjustment for 3-way syringe	■		
Vacuum canister with removable screen (uses 131-053 screen)	■	■	■
1 autoclavable HVE and saliva ejector valve with tubing	■	■	
2 autoclavable HVE and saliva ejector valve with tubing			■
2" dia. post mount	■	■	■
8' umbilical tubing	■	■	■

<i>Options</i>	<i>Part Number</i>	<i>Price</i>			
Additional umbilical (per foot)		\$10.00 Add	■	■	■

<p>Tray Mount Bracket with Stainless Steel Tray for A-5200, A-5221 and A-5222 \$152.50 add</p>		<p>Substitute Wall Mount Bracket 105-018, page 73 N/C</p>		<p>Additional HVE Valve with Tubing and Holder 030-014 \$73.00 (A-5200)</p>	
--	--	---	---	---	--

<i>Features for vacuum arm systems</i>	<i>A-5000</i>	<i>A-5032</i>	<i>A-5124</i>	<i>A-5132</i>
Folding arm, 24"	■		■	
Folding arm, 32"		■		■
Holder bar with 3 holders	■	■	■	■
3-way syringe with quick change autoclavable tip	■	■	■	■
Flow adjustment for 3-way syringe	■	■	■	■
Vacuum canister with removable screen (uses 131-052 screen)	■	■	■	■
1 autoclavable HVE and saliva ejector valve with tubing	■	■	■	■
2" dia. post mount	■	■		
Wall mount bracket			■	■
5' umbilical tubing	■	■	■	■

<i>Options</i>	<i>Part Number</i>	<i>Price</i>				
1/4" air or water quick disconnect	030-010	\$21.00 Add	■	■	■	■
with flow control	030-012	\$37.00 Add	■	■	■	■
Additional umbilical (per foot)	\$7.00 Add		■	■	■	■

<p>Additional HVE Valve with Tubing and Holder Bar 4 position in lieu of 3 position 030-018 \$70.40</p>	
---	--

Vacuum Arm Systems

Post NOT Included, if Needed, Length must be Specified



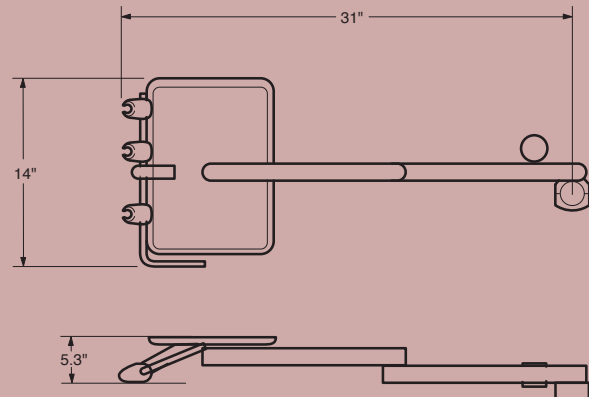
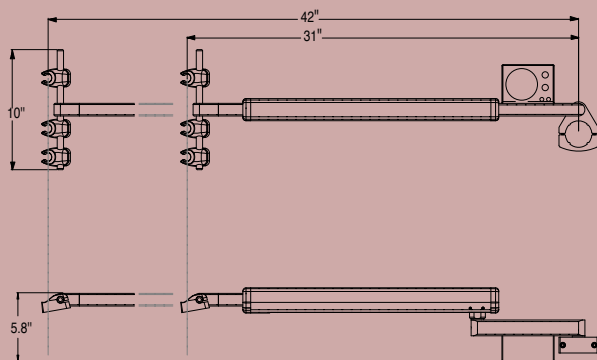
A-5230

2" dia. Post Mount Hygiene System
with Vacuum Telescoping Arm
\$850.00

A-5524

1 HP, 2" dia. Post Mount Hygiene System with Folding Arm
and Vacuum Package
\$900.00

Dimensions



Features of vacuum arm systems

A-5230

A-5524

1 (dry only) handpiece		■
Folding arm, 24"		■
Tray mount with holder bar with 3 holders		■
3-way syringe with quick change autoclavable tip	■	■
Flow adjustment for 3-way syringe	■	■
1/4" Female Water quick disconnect	■	
Asepsis handpiece tubing, sterling		■
Plastic instrument tray, 9-3/4" x 13-1/2"		■
Vacuum canister with removable screen (uses 131-052 screen)	■	■
1 saliva ejector valve with tubing	■	■
Soft-touch variable speed foot control		■
2" dia. post mount	■	■
5' umbilical tubing	■	
7' umbilical tubing		■

Options

Part Number

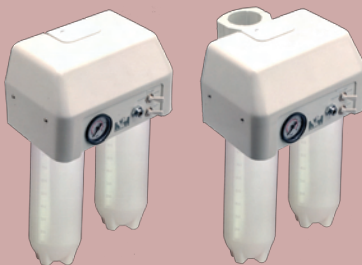
Price

Water quick disconnect with flow control	030-012	\$48.00 Add		■
Unit mount post, 28" with bushing	146-202	\$110.00 Add	■	■
Unit/light post, 40" with bushing	146-203	\$130.00 Add	■	■
Jacketed tubing (per foot)	115-052	\$5.00 Add	■	■

Dual Water Bottle Kits, page 89

Post 110-051
\$450.00

Wall 110-052
\$410.00



Water Bottle Kits, page 89

110-004
\$144.00

110-028
\$180.00



Additional HVE Valve
with Tubing and Holder
030-014
\$73.00



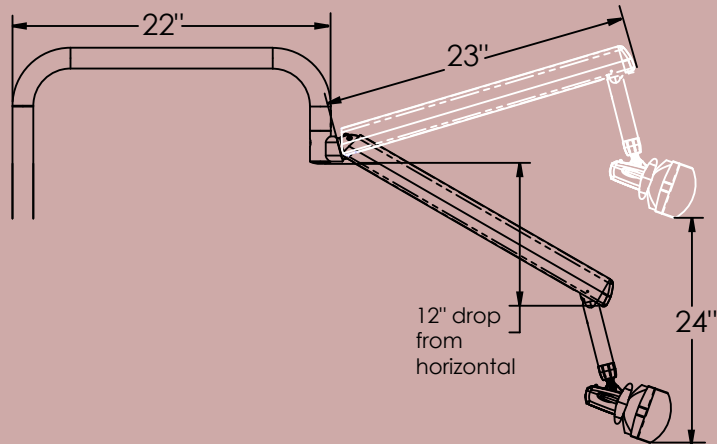
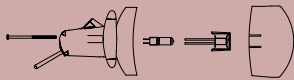
Aerolight Operator Light, Post Mt.



Aerolight

Beaverstate Dental Operator light 110 V
\$1,495.00

Dimensions



Features of Post Mount Aerolight

Aerolight

Exclusive ball and socket pivot (patent pending) allows unrestricted multi axis positioning	■
Unique adjustable pivot tension without tools	■
Sharply defined rectangular light pattern, 3 1/2" x 4 1/2" at 29"	■
4500° low setting to 5100° high setting, Kelvin temperature (ideal for shade matching and examination)	■
Easy reach ON/OFF/intensity switch	■
2-way switch for low (18,000 LUX) and high (23,000 LUX) intensity	■
Glass reflector with dichroic coating, filters out infrared rays, providing cool light	■
24V, 100 Watt halogen bulb with single filament (specifically designed for use in Aerolight with 1000 hour rating)	■
Easy bulb replacement without tools	■
Easy open safety shield allows for cleaning	■
110 Volt	■
Slim profile minimizes heat	■

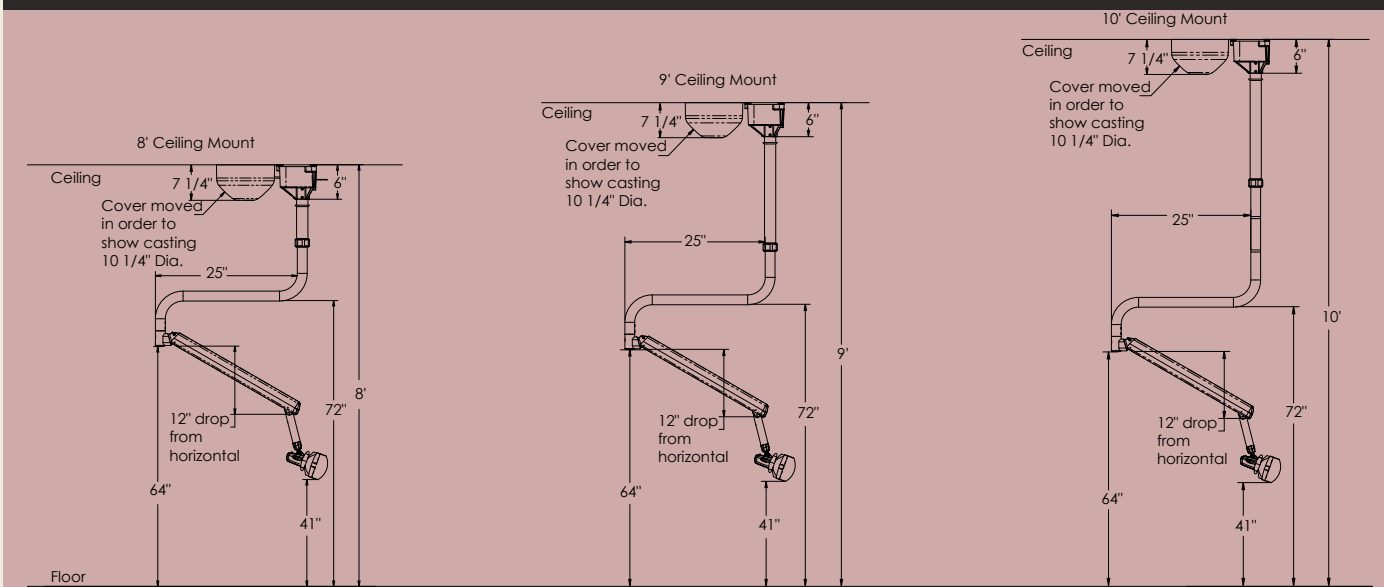
Aerolight Operatory Light, Ceiling Mt.



Aerolight

Beaverstate Dental Operatory light, Ceiling Mount 110 V
\$2,100.00

Dimensions



<i>Features of Ceiling Mount Aerolight</i>	<i>Aerolight</i>
Ball and socket lamp head may be adjusted vertically, horizontally or diagonally	■
Sharply defined rectangular light pattern, 3 1/2" x 4 1/2" at 29"	■
4500° low setting to 5100° high setting, Kelvin temperature (ideal for shade matching and examination)	■
Easy reach ON/OFF/intensity switch	■
2-way switch for low (18,000 LUX) and high (23,000 LUX) intensity	■
Glass reflector with dichroic coating, filters out infrared rays, providing cool light	■
24V, 100 Watt halogen bulb with single filament (specifically designed for use in Aerolight)	■
Easy bulb replacement	■
Easy open safety shield allows for cleaning	■
110 Volt	■
Accommodates ceiling heights from 8' to 10' (see note below)	■

<i>Options</i>	<i>Part Number</i>	<i>Price</i>
Flat Ceiling Cover Plate, 8" dia. (in lieu of domed cover)	102-160	n/c

NOTE:
 When ordering Aerolight in Ceiling Mount configuration, please provide Ceiling height measured from floor to hard mounting surface.
 For total mounting bracket concealment in drop-ceiling configuration, allow 7 1/4" in depth between hard surface mount to drop ceiling.
 Aerolight is shipped with domed cover (102-165) to completely conceal mounting bracket.

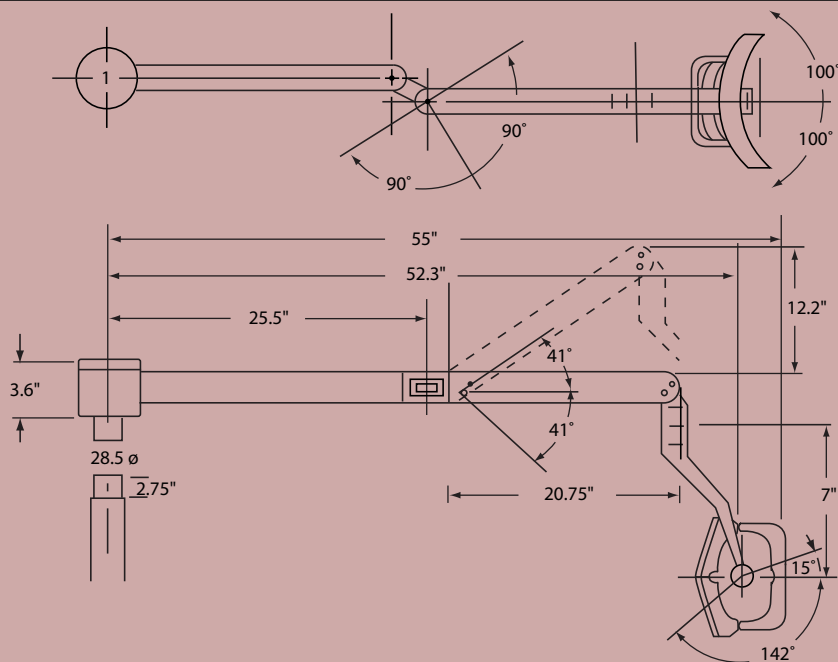
Celux Operatory Light, Post Mt.



CLX-110 CLX-220

\$1,060.00

Dimensions



<i>Features of Post Mount Celux light</i>	<i>CLX-110</i>	<i>CLX-220</i>
Lamp head may be adjusted vertically, horizontally or diagonally	■	■
Sharply defined rectangular light pattern	■	■
3800° to 4500° Kelvin temperature (ideal for shade matching and examination)	■	■
Easy reach ON/OFF/intensity switch	■	■
2-way switch for low (12,000 LUX) and high (24,000 LUX) intensity	■	■
Reflector with dichroic coating filters out infrared rays, providing cool light	■	■
12V—55 Watt tungsten halogen H-3 bulb with twin filaments	■	■
Easy bulb replacement	■	■
Easy open safety shield allows for cleaning	■	■
Requires Celux/Pelton light bushing (Part number 146-208 in Beaverstate Post)	■	■
Illuminated pattern at 28" is 3" x 7"	■	■
110 Volt	■	
220 Volt		■

Operatory Stools



DR-96

Doctor's Stool
\$444.00

AT-96

Assistant's Stool
\$620.00

Features for stools

DR-96 AT-96

Contoured seamless seat	■	
Round seat, 15-1/2" x 4", stitched		■
Chrome plated back upright	■	
Contoured seamless semi-rectangular back upright	■	
Chrome plated, full padded body support		■
Chrome plated, pneumatic cylinder with height adjustment, 18" to 22-1/2"	■	
Chrome plated, pneumatic cylinder with height adjustment, 20-1/2" to 27-1/2"		■
5-leg, brushed aluminum base	■	■
Twin wheel casters (see page 100)	■	■
Adjustable footring		■
Full range of colors (please specify, see chart pages 111 and 112)	■	■

Options

Part Number Price

Contoured seamless seat	n/c	■
Racheting body support with plastic cover	\$150.00 Add	■
Rubber wheel casters, set of 5	\$45.00 Add	■ ■
Nauga Soft upholstery (see color chart page 112)	n/c	■ ■

Standard color choices

See page 111 & 112

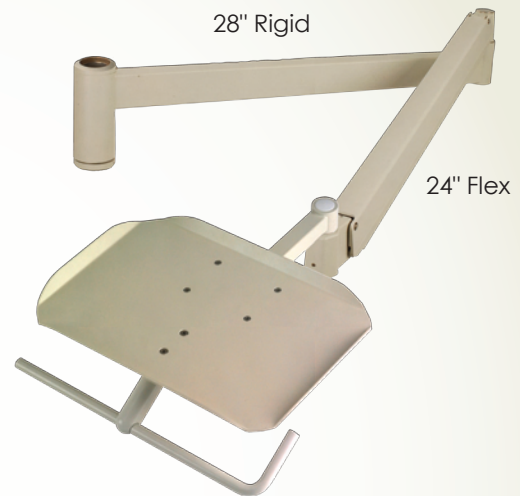
Asepsis 2" dia. Post Mount Flex Arm System with Pneumatic Brake

- Part No. 106-300, 2" post mount\$840.00
- Includes control mounting bracket
 - Weight adjustments from 3 to 15 lbs



Manual 2" dia. Post Mount Flex Arm System w/Friction Brake and Tray

- Part No. 106-223, 63" reach, 27" vertical travel with light spring, 0 to 7 lbs.\$730.00
- Measures 15" deep x 13-1/2" wide
 - Holds 9-3/4" x 13-1/2" tray
 - Uses optional 010-001 stainless steel tray (page 74)



Asepsis Top Post Mount Flex Arm System with Pneumatic Brake

- Part No. 106-306, top post mount\$840.00
- Arm bushing.....\$21.00
- Requires 146-208 bushing if used with Beaverstate post
 - Requires 146-008 bushing if used with other mfg's post
 - Includes control mounting bracket
 - Weight adjustments from 3 to 15 lbs



Control Mount Arm

- Part No. 106-203.....\$70.00
- For use with Beaverstate 106-216 manual flex arm system



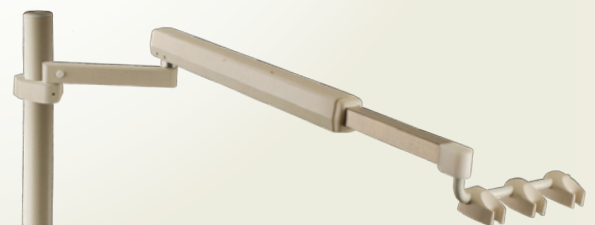
Asepsis 2" dia. Mount Flex Arm System with Pneumatic Brake

- Part No. 106-309.....\$840.00
- Requires 2" wall mount, 106-205, page 73.....\$105.00
 - Short rigid ideal for side delivery
 - Includes control mounting bracket
 - Weight adjustments from 3 to 15 lbs



2" dia. Telescoping Post Mount Accessory Arm

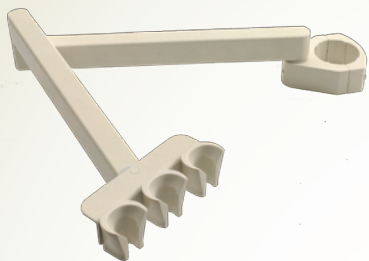
- Part No. 105-186, 2" dia. post mount\$420.00
- Breakaway feature
 - 31" to 42" horizontal reach
 - Post not included



Arms and Brackets

Horizontal Folding Arm

- Part No.105-026, 24" wall mount \$187.00
- Part No.105-027, 24" post mount \$187.00
- Part No.105-028, 32" wall mount \$196.00
- Part No.105-029, 32" post mount \$196.00
- 3 position holder bar with 3 handpiece holders
- 2" dia. post mount or wall mount
- 24" or 32" horizontal reach



Folding Arm Section Only

- Part No.105-040, 6" section..... \$42.00
- Part No.105-039, 8" section..... \$45.00
- Part No.105-042, 12" section..... \$46.00
- Part No.105-043, 16" section..... \$49.00
- 1/2" dia. pin mounts to a 2" dia. post mount clamp or wall mount
- 1/2" I.D. female end with bronze bushing



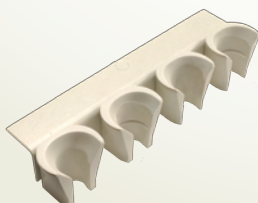
Holder Bar with Holders

- Part No.105-017, 3 position..... \$49.00
- 1 HVE holder
- 1 saliva ejector holder
- 1 syringe holder
- 1/2" dia. pin mounts to horizontal folding arm

- Part No.105-034, 4 position..... \$56.00
- 2 HVE holders
- 1 saliva ejector holder
- 1 syringe holder
- 1/2" dia. pin mounts to horizontal folding arm



105-017



105-034

Holder Bar with 1/2" dia. Pin

- Part No.105-008, 3 position \$23.60
- Part No.105-009, 4 position \$24.60
- Mounting holes for holders 141-006 and 141-038
- 1/2" dia. pin mounts to horizontal folding arm



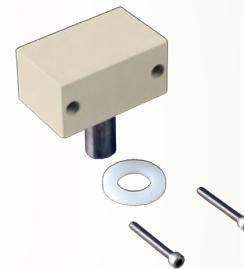
3 Position



4 Position

1/2" dia. Pivot Mount

- Part No.103-065 \$27.30
- Used to mount A-200 and A-400 series units to horizontal folding arms
- 2" aluminum mount with 1/2" dia. pin
- Includes mounting screws



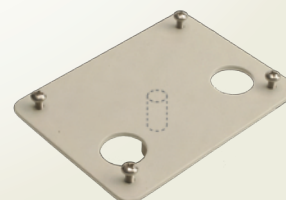
Washer for Pin with 1/2" dia.

- Part No. 003-006 \$.60
- Used with horizontal folding arms



Bracket for 1/2" dia. Pin Mount

- Part No.105-060 \$28.00
- 1/2" Pin Protudes from bottom of mount
- Used with horizontal folding arms
- Includes mounting screws

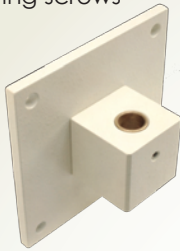


Mounts and Bushings

Wall Mount for 1/2" dia. Pin

Part No.105-018\$52.00

- Used to mount horizontal folding arms to vertical surfaces
- Includes mounting screws



Countertop Mount for 1/2" dia. Pin

Part No.105-016\$42.00

- Used to mount horizontal folding arms to horizontal surfaces
- Includes mounting screws



Wall Mount for 2" dia. Post Mounted Arms

Part No.106-205\$105.00

- Includes mounting screws



Rear Delivery Mounts

Part No.105-130, single.....\$120.00

Part No.105-120, dual.....\$150.00

- Used with rear delivery units
- Mounts to existing cabinetry
- Includes mounting screws



105-130

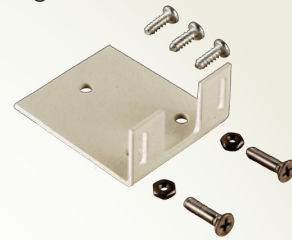


105-120

Horizontal Surface Mount Bracket

Part No.105-063\$16.00

- Used to mount A-200 and A-400 series handpiece controls and other horizontal surfaces
- Includes mounting screws



2" dia. Post Mount Clamp

Part No.105-051, single.....\$52.00

Part No.105-092, dual.....\$63.00

- Mounts horizontal folding arms with 1/2" dia. pin to 2" dia. post



105-051



105-092

1-3/4" dia. Post Clamp for 1/2" Pin

Part No.105-126, single.....\$57.00

Part No.105-127, dual.....\$65.00

- Mounts to 1-3/4" dia. upright on H-type frame



105-126

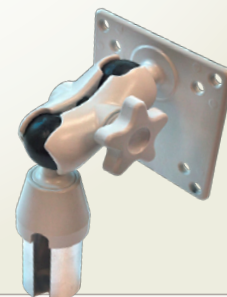


105-127

Top Post Monitor Mount

Part No.105-250\$275.00

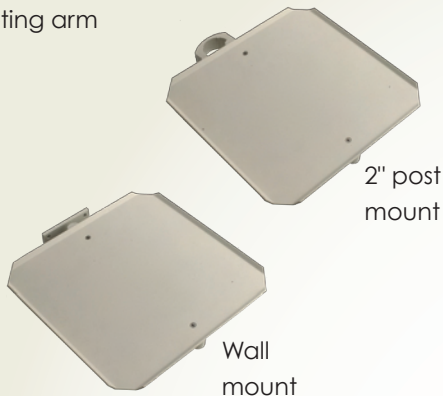
- Features 75 mm and 100 mm mounting patterns
- Fits into 2" dia. post
- Slotted to accommodate monitor cable inside post



Shelves and Trays

Utility Shelf Assembly

- Part No. 105-068, wall mount \$141.75
 Part No. 105-078, 2" dia. mount \$141.75
- 12" x 12" shelf
 - Pivoting arm



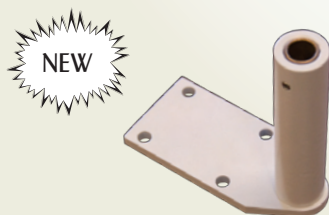
Cabinet/ Cart Tray Holder Assembly

- Part No. 105-053 \$258.00
- Mounts above or below cabinet or cart surface
 - Stainless steel tray, 9-3/4" x 13-1/2"
 - 12" pivoting arm
 - Mounting arm with screws
 - 9-3/4" x 13-1/2" tray



Pivot Riser Mounting Kit

- Part No. 105-093 \$74.00
- Mounts above or below cabinet or cart surface and receives 1/2" dia. pin arm for special configuration of arms and trays
 - Includes 4 1/4" x 1" mounting screws



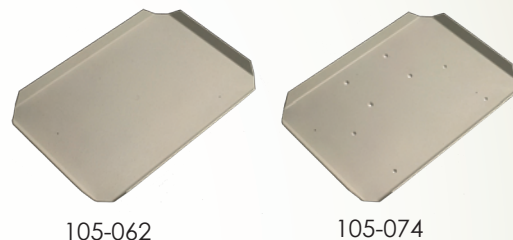
Tray Mount w/ Holder Bar

- Part No. 105-065 \$125.00
- For use with horizontal arm with 1/2" dia. pin mount
 - Holds 9-3/4" x 13-1/2" tray



Tray Assembly

- Part No. 105-062 \$55.00
 Part No. 105-074 \$40.00
- For use with horizontal arm with 1/2" dia. pin mount
 - For mounting A-250 to horizontal arm using 105-060 1/2" pin mount plate (105-074)
 - Holds 9-3/4" x 13-1/2" tray



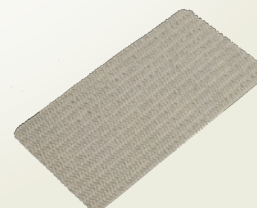
Instrument Tray

- Part No. 010-001, stainless steel \$56.50
 Part No. 010-051, plastic \$15.00
- 9-3/4" x 13-1/2"
- Part No. 010-002, stainless steel \$47.50
- 10" x 6-1/2"



Non-slip Pad

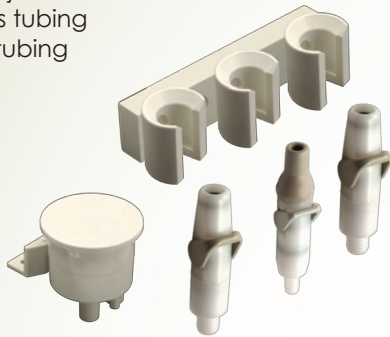
- Part No. 010-060, 11-3/4" x 6-1/4" \$3.50
 Part No. 010-061, 9" x 5-12" \$3.15
- Use on top of unit control head or work surface to prevent tray from sliding
 - Rubber non-skid material



Vacuum Accessory Kit

Part No. 131-025 \$198.00

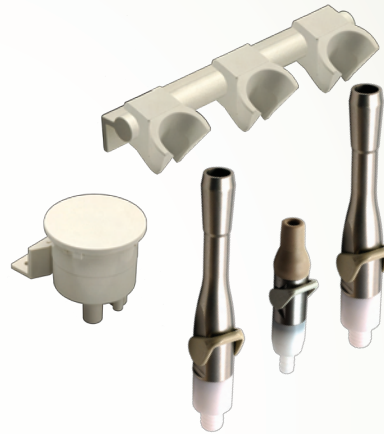
- Vacuum canister with removable screen
(uses 131-052 screen)
- 3 position vertical surface mount 4-1/4" holder bar and holders
- Mounting hardware
- 2 standard HVE lever valves
- 1 saliva ejector lever valve
- 6' asepsis tubing
- 7' drain tubing



Autoclavable Vacuum Accessory Kit

Part No. 131-027 \$250.00

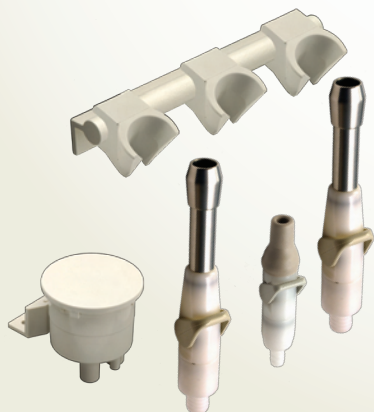
- Vacuum canister with removable screen
(uses 131-052 screen)
- 3 position vertical surface mount 6" holder bar and universal holders
- Mounting hardware
- 2 autoclavable universal HVE lever valves
- 1 autoclavable saliva ejector lever valve
- 6' asepsis tubing
- 7' drain tubing



Deluxe Vacuum Accessory Kit

Part No. 131-026 \$220.00

- Vacuum canister with removable screen
(uses 131-052 screen)
- 3 position vertical surface mount 6" holder bar and universal holders
- Mounting hardware
- 2 universal HVE lever valves
- 1 saliva ejector lever valve
- 6' asepsis tubing
- 7' drain tubing



Vacuum Kits

Cabinet Mount Vacuum Accessory Kit

- Part No. 105-175.....\$450.00
- Vacuum canister with removable screen
(uses 131-052 screen)
 - 3 position cabinet mount holder bar and universal holders
 - Mounting hardware
 - Bar can mount to a vertical or horizontal surface
 - 1 autoclavable universal HVE lever valve
 - 1 autoclavable saliva ejector lever valve
 - 3-way syringe with quick change autoclavable tip
 - 6' asepsis tubing
 - 7' drain tubing

OPTIONS

- 030-014 Additional HVE valve with holder.....\$73.00
- Includes tubing



Vacuum Accessory Kit

- Part No. 131-045..... \$440.00
- Vacuum canister enclosure with removable screen
(uses 131-052 screen)
 - Mounting hardware
 - 3 position vertical surface mount 6" holder bar and universal holders
 - 1 autoclavable universal HVE lever valve
 - 1 autoclavable saliva ejector lever valve
 - 3-way syringe with quick change autoclavable tip
 - Flow adjustment for syringe
 - 6' asepsis tubing
 - 5' umbilical tubing

OPTIONS

- 030-017 Additional HVE valve with tubing..... \$77.50
- 030-012 Water QD with flow control..... \$37.00
- Additional umbilical tubing (per foot) \$8.00



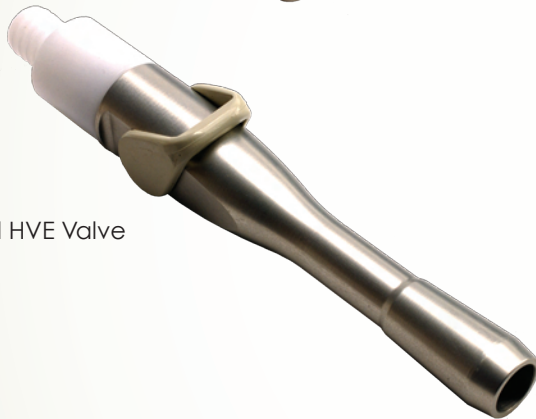
Vacuum Accessories

Autoclavable HVE Lever Valve

- Part No. 112-262, standard..... \$36.00
 Part No. 112-263, universal \$41.00
- Autoclavable (325°F)
 - Anodized aluminum body
 - Lever ON/OFF flow control
 - Accepts standard 1/2" vacuum tubing
 - Easily disassembled for thorough cleaning
 - 360° swivel



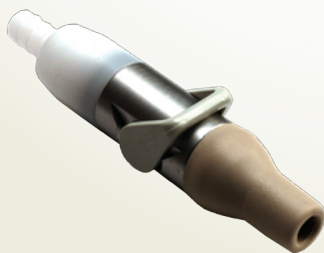
112-262
Standard HVE Valve



112-263
Universal HVE Valve

Autoclavable Saliva Ejector Lever Valve

- Part No. 112-280 \$28.00
- Body and lever are autoclavable (325°F)
 - Anodized aluminum body
 - Lever ON/OFF flow control
 - Accepts standard 7/32" I.D. vacuum tubing
 - Snap-on gray rubber tip
 - 360° swivel



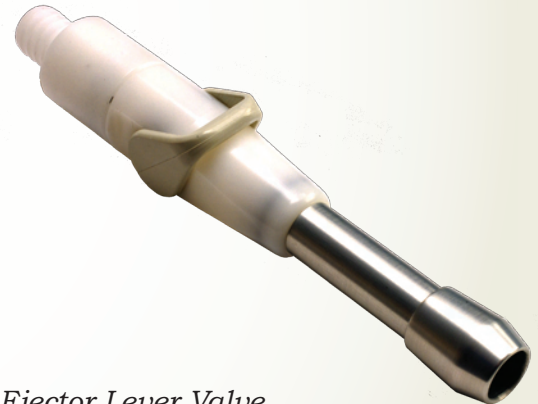
Standard HVE Lever Valve

- Part No. 112-192, white \$26.00
- Lever ON/OFF flow control
 - Accepts standard 1/2" vacuum tubing
 - Easily disassembled for thorough cleaning
 - 360° swivel



Universal HVE Lever Valve

- Part No. 112-193, white \$35.00
- Lever ON/OFF flow control
 - Accepts standard 1/2" vacuum tubing
 - Easily disassembled for thorough cleaning
 - 360° swivel



Saliva Ejector Lever Valve

- Part No. 112-190, white \$23.00
- Lever ON/OFF flow control
 - Snap-on gray rubber tip
 - 360° swivel
 - Accepts standard 7/32" I.D. vacuum tubing



Vacuum Accessories

Saliva Ejector Adapter

- Part No. 112-059 \$5.25
 ■ Adapts saliva ejector tubing to HVE valve



Saliva Ejector Rubber Tip

- Part No. 112-174, gray \$2.20
 Part No. 112-175, gray (autoclavable)..... \$4.30
 ■ Snaps onto saliva ejector valve
 ■ Soft and pliable



QD Swivel Base

- Part No. 112-170, HVE valve \$5.25
 Part No. 112-177, saliva ejector valve \$4.20



HVE Valve
112-170



Saliva Ejector Valve
112-177

Replacement Lever

- Part No. 112-169, HVE valve \$3.15
 Part No. 112-181, saliva ejector valve \$3.15
 ■ Autoclavable (325°F)



112-169
HVE Valve



112-181
S/E Valve

Autoclavable O-rings

- Part No. 017-410, saliva ejector valve, pkg of 10..... \$4.20
 Part No. 017-413, HVE valve, pkg of 10 \$5.25
 ■ Autoclavable (325°F) Viton (R) material
 ■ Identified by brown color



For HVE Valve



For Saliva Ejector Valve

Vacuum Canister Mounting Brackets

- Part No. 131-038, vertical \$2.65
 Part No. 131-039, horizontal \$2.65



131-038
Vertical



131-039
Horizontal

Vacuum Accessories

Central Vacuum Canister Kit

- Part No. 131-030\$23.00
 2 HVE valve drain ports with 1 plug
 ■ Saliva ejector drain port with plug
 ■ Covered removable screen
 ■ Hydrocolloid drain provision
 ■ Mounting hardware
(Uses 131-052, 1-7/8" screen)



Central Vacuum Canister Kit with Bayonet Lid

- Part No. 131-035\$25.00
 ■ Easy open bayonet type locking lid
 ■ 2 HVE valve drain ports with 1 plug
 ■ Saliva ejector drain port with plug
 ■ Covered removable screen
 ■ Hydrocolloid drain provision
 ■ Mounting hardware
(Uses 131-052, 1-7/8" screen)



Central Vacuum Canister Kit with Bayonet Lid, Side Drain

- Part No. 131-036\$35.00
 ■ Easy open bayonet type locking lid
 ■ 2 HVE valve drain ports with 1 plug
 ■ Saliva ejector drain port with plug
 ■ Covered removable screen
 ■ 1/2" side drain port
(Uses 131-053, 2-1/8" screen)



Covered Vacuum Canister Screen

- Part No. 131-052\$.75
 Part No. 131-054, pkg of 10\$7.30
 Part No. 131-070, pkg of 100.....\$70.00
 ■ 1-7/8" molded plastic screen with lid
 ■ Used with 131-030 and 131-035 vacuum canister kits
 ■ Fits Beaverstate, Belmont, Biotec, Chayes, Den-Tal-Ez, Dentech, Pelton and Prisma vacuum canisters



Covered Vacuum Canister Screen

- Part No. 131-053\$.80
 Part No. 131-055, pkg of 10\$7.80
 Part No. 131-071, pkg of 100.....\$75.00
 ■ 2-1/8" molded plastic screen with lid
 ■ Used with 131-036 side drain vacuum canister kit
 ■ Fits Beaverstate, Adec, DCI and Biotec

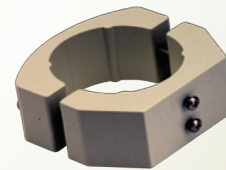


Vacuum Canister Replacement Parts

- Part No. 017-030 O-ring\$1.00
 Part No. 131-030 LID, Standard Canister\$5.00
 Part No. 131-035 LID, Bayonet Canister.....\$5.00
 Part No. 131-036 LID, Bayonet Side Drain Canister ..\$6.00

Vacuum Canister Post Mount Bracket

- Part No. 105-055\$53.00
 ■ Includes bracket mounting screws



Vacuum Canister Port Plug

- Part No. 010-009, HVE\$.30
 Part No. 010-048, saliva ejector.....\$.25



010-009



010-048

Vacuum Accessories and Switches

Vacuum Canister Mounting Bracket

Part No. 131-034.....\$21.00

- Mounts to bottom of cart work surface or any other horizontal surface
- Used for mounting vacuum canister
- Accommodates 1-1/4" spiral umbilical tubing



Oral Dry Cup

Part No. 117-056.....\$10.50

- Molded plastic
- Fits 7/16" HVE valves

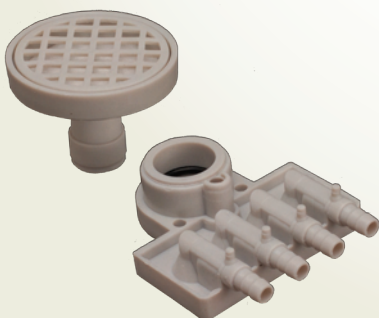


Handpiece Exhaust HEPA Filter Kit

Part No. 119-027 complete unit install kit\$27.50

Part No. 119-028 replacement filter only.....\$9.00

- Easily installed in unit head
- Prevents residual oil from coating the dental units internal components
- Filters bacteria from handpiece exhaust

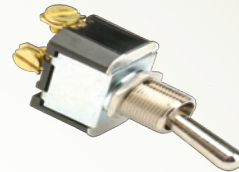


ON/OFF Electric Switch

Part No.016-014 switchplate.....\$1.00

Part No.016-020.....\$9.50

- May be used to activate vacuum remotely
- 15 Amp 125 VAC



Air Operated Electric Switch

Part No. 016-031, normally open\$38.00

Part No. 016-032, normally closed.....\$38.00

- 15 Amp 125 VAC
- 8 psi pressure required to activate



Air Operated Electric Switch

Part No.016-023, normally open.....\$23.10

- 15 Amp 125 VAC
- 10 psi pressure required to activate



Handpiece Holders

Automatic Handpiece Holders

Part No. 122-100, normally closed\$28.50

- Fits 1/2" dia. holder bar
- Provides positive air signal to auto-block when handpiece is IN the holder

Part No. 141-100, syringe.....\$14.00

- Fits 1/2" dia. holder bar
- Holds handpiece, saliva ejector valve or syringe
- Holds universal HVE valve



122-100



141-100

Electric Automatic Handpiece Holder

Part No. 122-060, normally open.....\$45.00

Part No. 122-061, normally closed\$45.00

- Fits 1/2" dia. holder bar

Normally Open = No Current when HP out of Holder

Normally Closed = Current when HP out of Holder



Automatic Handpiece Holder

Part No. 122-055, normally closed\$36.00

- Fits 1/2" dia. holder bar

Normally Closed = Provides positive air signal to auto-block when handpiece is IN the holder



Automatic Accessory Holder

Part No. 122-056, normally open.....\$36.00

- Fits 1/2" dia. holder bar

Normally Open = Provides positive air signal when handpiece is OUT of the holder



Handpiece Holders

Universal Handpiece Holder

- Part No. 141-023 \$16.00
- Fits 1/2" dia. holder bar
 - Holds handpiece, saliva ejector valve or syringe
 - Holds universal HVE valve



Vacuum Handpiece Holder

- Part No. 141-037 \$20.00
- Fits 1/2" dia. holder bar
 - Holds HVE valve by base



Automatic Handpiece Holder

- Part No. 122-049 \$28.00
- Normally closed
- Provides positive air signal to auto-block when handpiece is IN the holder
- Replacement holder for A-2150 and A-2500
 - Shipped disassembled

Rear View



Front View



Plastic Holder

- Part No. 141-006, handpiece holder \$7.50
- Part No. 141-038, vacuum holder \$7.50
- Fits 105-008 and 105-009 holder bars
 - 141-006 holds handpiece, saliva ejector valve, syringe and HVE valve with tip extension
 - 141-038 holds HVE valve by the base



141-006



141-038

Standard Syringe Holder

- Part No. 141-002 \$5.00
- 10-32 mounting screw
 - Hole accommodates 8-32 or 10-32 screw



Vacuum Handpiece Holder

- Part No. 141-005 \$4.50
- For HVE valve held by the base
 - 10-32 mounting screw
 - Hole accommodates 8-32 or 10-32 screw



Standard Handpiece Holder

- Part No. 141-016 \$4.00
- For high speed handpiece or saliva ejector valve
 - 10-32 mounting screw
 - Hole accommodates 8-32 or 10-32 screw



Curing Light Adapter Holder

- Part No. 141-061 \$33.00
- Fits any standard universal holder



Automatic Holder Valve

- Part No. 122-031, for handpiece \$9.00
- Normally closed
- Part No. 122-044, for accessories \$9.00
- Normally open
 - Used on Euro style unit head

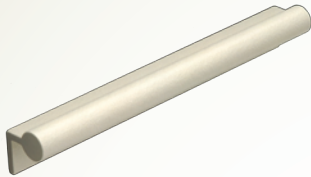


Holder Bars and Auto-Blocks

Universal Holder Bar

Part No. 141-050, 2".....	\$14.00
Part No. 141-051, 4".....	\$16.00
Part No. 141-052, 6".....	\$18.50
Part No. 141-053, 8".....	\$20.00
Part No. 141-054, 14".....	\$25.00

- For automatic, universal and vacuum holders
- 1/2" dia. mounting bar

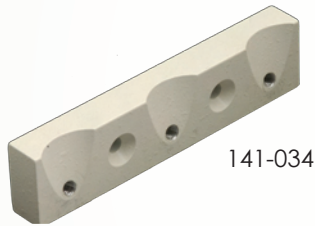


Standard Holder Bar

Part No. 141-017, 1 position, 1-5/8" plastic	\$3.50
Part No. 141-034, 3 position, 4-1/4" aluminum	\$21.00
Part No. 141-035, 4 position, 5-7/8" aluminum	\$23.00

- 10-32 threads

141-017

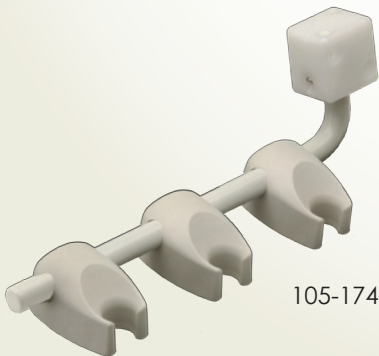


141-034

Pivoting Holder Bar

Part No. 105-170, 8-1/2", bar and mount only	\$70.00
Part No. 105-174, 8-1/2", with 3 141-100 holders ...	\$100.00
Part No. 105-177, 10-1/2", bar and mount only	\$80.00

- Mounts under cabinet or work surface
- 1/2" dia. mounting bar

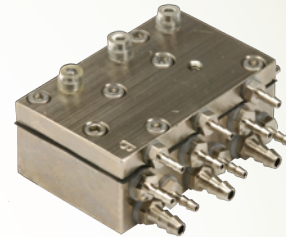


105-174

Automatic Control Block

Part No. 125-030, 2/3 position.....	\$110.00
Part No. 125-040, 4 position	\$145.00
Part No. 125-050, 5 position	\$170.00

- Precision milled from solid brass and electroplated to eliminate corrosion
- Individual handpiece pressure adjustments with 10-56 screws for fine adjustment
- 1" thick design for compact installation
- Use with automatic holders (see page 81)
- **LIFETIME WARRANTY, WHEN FACTORY INSTALLED**



125-030

Automatic Control Diaphragms

Part No. 125-016, 3 position	\$2.20
Part No. 125-044, 4 position	\$2.50
Part No. 125-116, 3 position (Euro Block)	\$3.50

- Nylon reinforced rubber



125-016



125-116

Valves

ON/OFF Toggle Valve

Part No. 120-000, 3-way with exhaust.....\$17.50
Part No. 120-015, 2-way without exhaust.....\$17.50

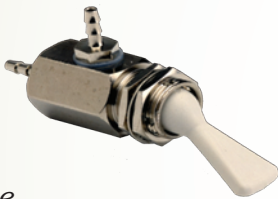
- Positive ON/OFF control
- 10-32 ports
- 15/32"-32 panel mount with nuts
- Nickel plated brass



Momentary Toggle Valve

Part No. 120-005, 3-way with exhaust.....\$20.50
Part No. 120-018, 2-way without exhaust.....\$20.50

- Positive ON/OFF control
- 10-32 ports
- 15/32"-32 panel mount with nuts
- Nickel plated brass



Routing Valve

Part No. 014-006, For use with air\$22.00
Part No. 014-010, For use with water\$22.00

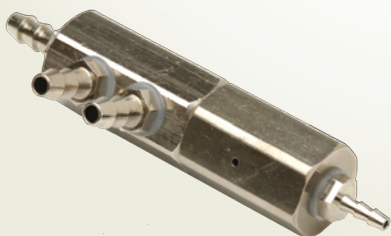
- Routing control without exhaust
- 10-32 ports (1 input, 2 output) or (2 input, 1 output)
- 15/32"-32 panel mount with nuts
- Nickel plated brass



Routing Valve

Part No. 014-007\$33.00

- Routing control for air or water without exhaust
- 10-32 ports (1 input, 2 output) or (2 input, 1 output)
- Activated by air signal
- Nickel plated brass



Needle Flow Valve w/ Knob

Part No. 121-000.....\$17.50
Part No. 121-002 Knob with stem\$6.00

- Flow adjustment for air or water
- Positive ON/OFF control
- 10-32 ports
- 15/32"-32 panel mount with nuts
- Nickel plated brass
- Smooth knob



Mini Regulator

Part No. 128-017\$28.00

- 0-125 psi operating range
- Non-relieving (for air or water)
- 10-32 ports
- 15/32"-32 panel mount with nuts



40 psi Non-adjustable Regulator

Part No. 128-018.....\$23.00

- Supplies a maximum of 36 to 42 psi
- 15/32"-32 panel mount with nut
- Limits air pressure in water bottle systems
- Tamper proof



Mounting Brackets

- Part No. 024-015.....\$2.00
 ■ Used to mount a 15/32" O.D. valve or switch
- Part No. 024-018.....\$4.50
 ■ Used to mount a 1/2" O.D. quick disconnect
- Part No. 024-019.....\$9.00
 ■ Used to mount a 1/4" and 3/8" O.D. quick disconnect



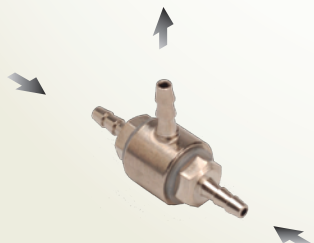
Water Relay Valve - Non Retracting

- Part No. 123-000.....\$28.00
 ■ Air-activated ON/OFF for handpiece water coolant
 ■ Does not retract water
 ■ 1/16" barb fittings
 ■ The most reliable water relay valve made
 ■ **TESTED OVER 10 MILLION CYCLES**



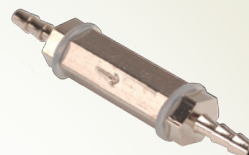
Shuttle Valve

- Part No. 014-012.....\$9.00
 ■ For mounting two input flows to one output
 ■ 1/16" barb fittings
 ■ Nickel plated brass



In-line Check Valve

- Part No. 119-015.....\$9.00
 ■ Eliminates water retraction at the handpiece
 ■ 1/16" barb fittings
 ■ Nickel plated brass



Pneumatic Indicator

- Part No. 026-020.....\$16.00
 ■ Green indicator
 ■ Accommodates 15/32"-32 panel mount
 ■ 10-32 port



Manual Shut-off Valve

- Part No. 020-022.....\$8.50
 ■ For manual ON/OFF control of air or water at inlet source
 ■ 1/2" MPT inlet
 ■ 3/8" copper compression outlet
 ■ Chrome finish



Mini Flow Restrictor

- Part No. 113-242.....\$8.00
 ■ Use with 1/8" or 1/4" O.D. tubing



Syringes

3-way Syringe

Part No. 113-400.....\$72.00

- Smooth surfaces for easy cleaning
- Soft touch O-ring cartridges
- Quick change autoclavable tip
- Variable air, water and spray control
- Lightweight
- Handle designed for smaller hands



3-way Euro Syringe

Part No. 113-202.....\$88.00

- Smooth surfaces for easy cleaning
- Soft touch O-ring cartridges
- Quick change autoclavable tip
- Variable air, water and spray control
- Lightweight
- Handle designed for smaller hands



3-way Syringe with Asepsis Tubing

Part No. 113-513, straight sterling.....\$82.00

Part No. 113-510, coiled sterling.....\$84.00

Part No. 113-508, straight gray.....\$82.00

Part No. 113-505, coiled gray.....\$84.00

Syringe Parts and Accessories

///par

Genera Syringe Button

Part No. 113-234.....\$4.40
 Part No. 113-401, for pinned syringe head\$4.40



113-234



113-401

Syringe Repair Kit

Part No. 113-403.....\$22.00

- Improved for softer touch
- Includes 2 cartridge buttons, 2 springs
- Improved for softer touch



Genera Syringe Repair Kit

Part No. 113-019, for pinned syringe head\$12.50
 Part No. 113-020.....\$12.50

- Includes 2 cartridge buttons, 2 valve stems and valve tool



Genera Valve Stem

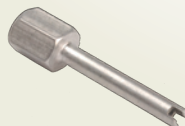
Part No. 113-228.....\$.50
 Part No. 113-328, pkg of 10.....\$4.80



Syringe Valve Stem Tool

Part No. 113-231.....\$4.00

- Used to remove and install valve stems in Genera syringe head



Autoclavable Syringe Tip

Part No. 113-030.....\$4.90
 Part No. 113-237, pkg of 10.....\$45.00
 Part No. 113-247, pkg of 100.....\$400.00

- 6-port syringe tip (improved spray pattern)
- Chrome plated brass
- Fits Beaverstate Genera, Adec, DCI, Marus and other autoclavable tip applications



Autoclavable Quick-Disconnect Tip Kit

Part No. 113-230.....\$14.25

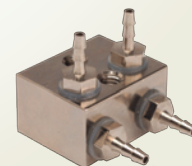
- Retrofits to Genera, Adec, Marus and others
- 1 tip cone provided
- Includes autoclavable tip, adapter with O-rings, allen wrench and instructions



Syringe Flow Adjustment Block

Part No. 113-026.....\$22.00

- 1/16" barbs



Utility Center and Master Valves

Standard Utility Center - 14" x 9" x 5-1/8"

- Part No. 144-018 complete utility center\$350.00
 Part No. 144-015 utility center housing only.....\$90.00
- 2-127-010 Master valve assembly with filter and regulator
 - Fitting and hole plug kit
 - Installation template
 - Enameled metal housing
 - One 1-3/4", two 3/4" and one 2-1/2" holes



- Part No. 144-020..... \$230.00
- 1-127-010-Air ONLY Master valve assembly with filter and regulator
 - Fitting and hole plug kit
 - Installation template
 - Enameled metal housing
 - One 1-3/4", two 3/4" and one 2-1/2" holes

Standard Utility Center without Housing & Cover

- Part No. 144-027\$260.00



Large Utility Center - 14" x 17" x 5-1/8"

- Part No. 144-046.....\$420.00
 Part No. 144-047 Utility Center Housing Only\$180.00



Master Valve Assembly w/Filter & Regulator

- Part No. 127-010-A (Air).....\$120.00
 Part No. 127-010-W (Water)\$120.00
- Air operated master ON/OFF valve
 - Compact, integrated assembly for air and water
 - Non-relieving, piston type regulator
 - 35 and 100 micron filtration
 - 3/8" compression inlet (for use with 020-022 valve)



Regulator Kit

- Part No. 127-011 \$255.00
- Master air and water valves
 - Includes toggle valve 120-000, tubing and plastic tee



Pressure Regulator Assembly Kit

- Part No. 025-001 \$72.00
- Non-relieving, piston type regulator
 - 0-150 psi
 - Three 1/8" outlets and one 1/8" inlet port
 - Pressure gauge
 - Mounting bracket



Regulator Mounting Bracket Kit

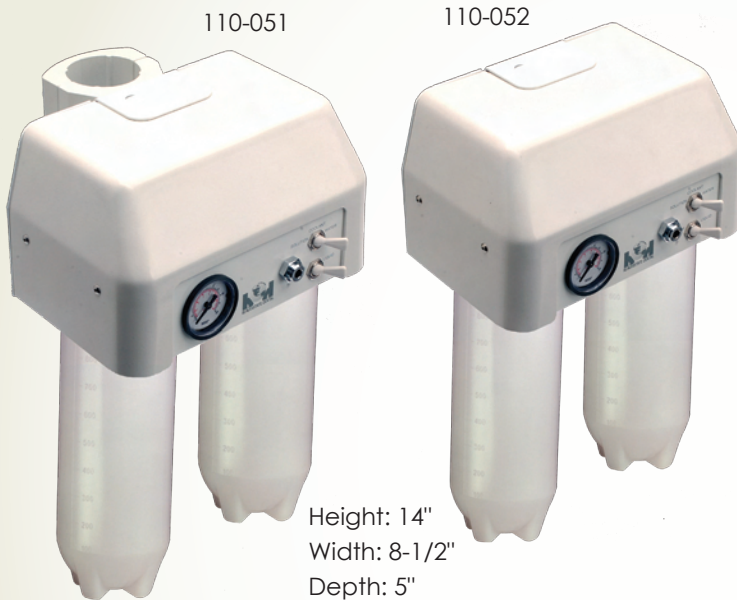
- Part No. 128-010 \$16.50



Water Bottle Systems

Dual Water Bottle System

- Part No. 110-051, post mount \$450.00
 Part No. 110-052, wall mount..... \$410.00
- 2" dia. post mount with aluminum bracket
 - Pressure heads with standard 28mm thread
 - 40 psi tamper proof regulator
 - Clean water toggle
 - Air purge toggle
 - 2 pressure exhaust ports (each head)
 - Quick disconnect water outlet
 - Dual 1 liter heavy wall bottles
 - 7' supply tubing



Height: 14"
 Width: 8-1/2"
 Depth: 5"

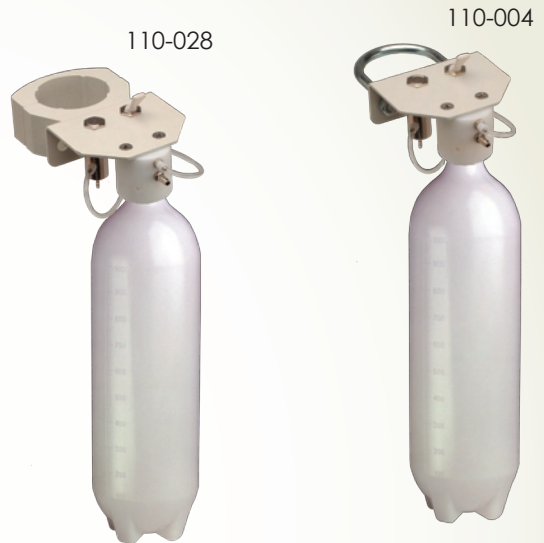
Post Mount Water Bottle Kit

- Part No. 110-062 \$280.00
 Part No. 110-066 with 1/4" female QD \$305.00
 Part No. 110-067 with 3/8" female QD \$310.00
 Part No. 110-068 with 1/4" & 3/8" QD's \$325.00
- Accommodates 1/2" Pin mount vacuum arm
 - 2" dia. post mount with aluminum bracket
 - Pressure head with standard 28mm thread
 - 40 psi tamper proof regulator
 - 2 pressure exhaust ports
 - 1-1/2 liter heavy wall bottle
 - 7' supply tubing



Post Mount Water Bottle Kit

- Part No. 110-004, 1 piece u-clamp \$144.00
 Part No. 110-028, 2 piece post clamp \$180.00
- 2" dia. post mount with aluminum bracket
 - Pressure head with standard 28mm thread
 - 40 psi tamper proof regulator
 - On/Off toggle valve
 - 2 pressure exhaust ports
 - 1 liter heavy wall bottle
 - 7' supply tubing



Post Mount Water Bottle Kit

- Part No. 110-029 \$215.00
- 2" dia. post mount with aluminum bracket
 - Pressure head with standard 28mm thread
 - 40 psi tamper proof regulator
 - 2 pressure exhaust ports
 - 1-1/2 liter heavy wall bottle
 - 7' supply tubing

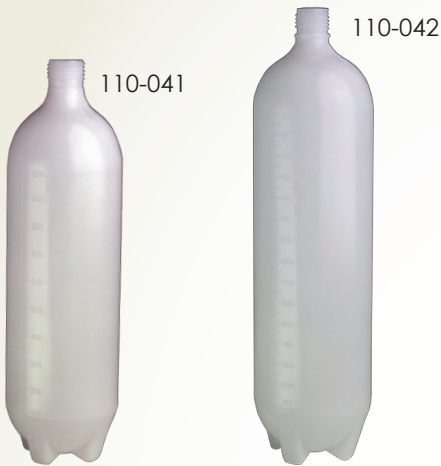


Water Bottle Accessories

Replacement Water Bottle

Part No. 110-041, 1 liter \$12.00
Part No. 110-042, 1-1/2 liter \$16.00

- Heavy wall construction for safe operating at 40 psi
- High density polyethylene (HDPE) is compatible with coolant liquids used in dentistry
- Can be used with most dental systems



Pressure Head

Part No. 110-007, with 10-32 tapped hole \$25.00
Part No. 110-046, with 1/8" NPT tapped hole \$26.00

- 2 pressure exhaust ports
- Standard 28mm thread
- Includes gasket
- Includes 1/8" NPT tapped hole for pressure gauge (110-046)



Pressure Head Gasket

Part No. 003-020 \$2.50

- Polyurethane Material



Water Bottle Cap

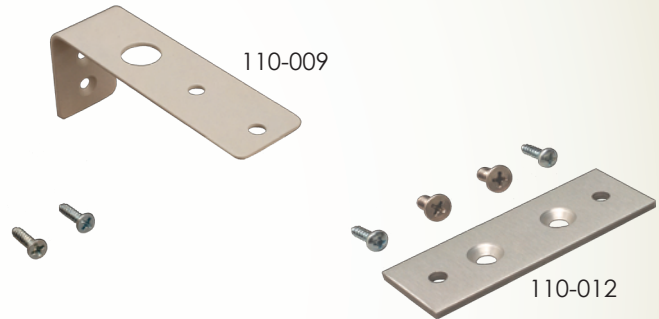
Part No. 110-030 \$25



Pressure Head Mounting Kit

Part No. 110-009 \$12.00
■ Vertical surface mount

Part No. 110-012 \$12.00
■ Horizontal surface mount



Standard Disc Type

- Part No. 126-000 \$72.00
- Variable speed with light touch
 - 7' tubing
 - **Lifetime Warranty when factory installed**



Wet/Dry Type

- Part No. 126-160 \$152.00
 Part No. 126-153 with chrome lid \$166.00
- Variable speed with light touch
 - Toggle valve for ON/OFF control of water coolant
 - 7' tubing

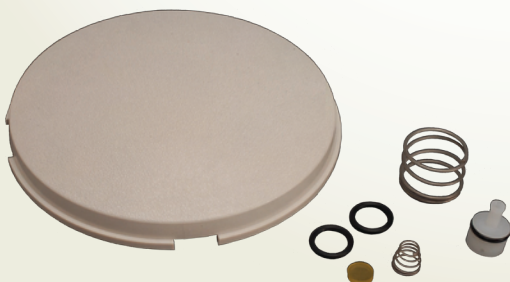


Foot Control Replacement Toggle

- Part No. 126-164 \$4.00

Foot Control Repair Kit

- Part No. 126-025 \$15.00
- For 126-000 standard foot control
 - Includes ABS cover, stem, screws, poppet and springs



Chip Blower/Scaler Type

- Part No. 126-133 \$153.00
- Variable speed with light touch
 - Toe touch chip blower valve
 - 7' tubing



Wet/Dry Chip Blower Type

- Part No. 126-203 \$200.00
- Variable speed with light touch
 - Toggle valve for ON/OFF control of water coolant
 - Toe touch chip blower valve
 - 7' tubing



Foot Control Carrier

- Part No. 126-008 \$70.00
- Mounts to cart base frame



Handpiece Tubing and Connectors

4-Hole Asepsis Handpiece Tubing with Midwest Metal Connector

Part No. 114-729, straight sterling, 7'	\$22.00
Part No. 114-629, straight sterling, Silcryn™, 7'	\$23.00
Part No. 114-725, coiled sterling, 7'	\$25.00
Part No. 114-129, straight gray, 7'	\$22.00
Part No. 114-125, coiled gray, 7'	\$25.00
Part No. 114-229, straight surf, 7'	\$22.00
Part No. 114-225, coiled surf, 7'	\$25.00

- Polyurethane material (except 115-629)
- Extruded with smooth outer wall
- Easy to clean



4-Hole Asepsis Handpiece Tubing Only

Part No. 115-709, straight sterling	\$1.20/ft
Part No. 115-609, straight surf, Silcryn™, 7'	\$1.35/ft
Part No. 115-758, coiled sterling, 7'	\$12.90
Part No. 115-109, straight gray	\$1.20/ft
Part No. 115-158, coiled gray, 7'	\$12.90
Part No. 115-209, straight surf	\$1.20/ft

- Polyurethane material (except 115-609)
- Extruded with smooth outer wall
- Easy to clean



3-Hole Asepsis Handpiece Tubing with Borden Metal Connector

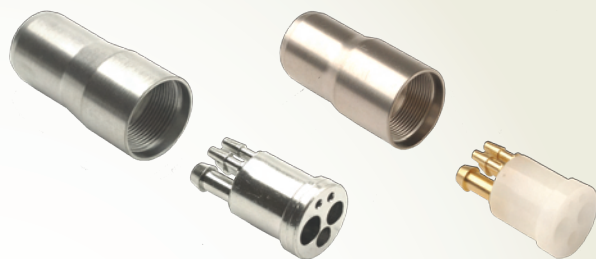
Part No. 114-739, straight sterling, 7'	\$24.00
Part No. 114-735, coiled sterling, 7'	\$28.00
Part No. 114-139, straight gray, 7'	\$24.00
Part No. 114-135, coiled gray, 7'	\$28.00

- Polyurethane material
- Extruded with smooth outer wall
- Easy to clean



Midwest Connector and Nut

Part No. 114-025, with plastic adapter	\$12.50
Part No. 114-026, with metal adapter	\$14.50



Borden Connector and Nut

Part No. 114-035, with plastic adapter	\$18.00
Part No. 114-036, with metal adapter	\$18.00



5-Hole Midwest Handpiece Gasket

Part No. 114-015	\$2.30
------------------------	--------

- Autoclavable
- Silicone material



Surf colored tubing is now available in certain configurations.

Ultra-Flexible Silcryn™ tubing is also available in 4 hole HP, S/E, syringe and HVE tubing.

Syringe and Foot Control Tubing

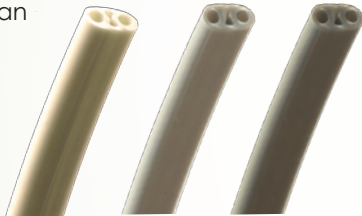
3-Hole Asepsis Handpiece Tubing

- Part No. 115-708, straight sterling\$1.00/ft
- Part No. 115-719, coiled sterling, 7'\$11.00
- Part No. 115-108, straight gray\$1.00/ft
- Part No. 115-119, coiled gray, 7'\$11.00
- Polyurethane material
- Extruded with smooth outer wall
- Easy to clean



2-Hole Asepsis Syringe Tubing

- Part No. 115-764, straight sterling\$.70/ft
- Part No. 115-753, coiled sterling, 7'\$8.00
- Part No. 115-064, straight gray\$.70/ft
- Part No. 115-053, coiled gray, 7'\$8.00
- Part No. 115-264, straight surf\$.70/ft
- Part No. 115-253, coiled surf, 7'\$8.00
- Polyurethane material
- Extruded with smooth outer wall
- Easy to clean



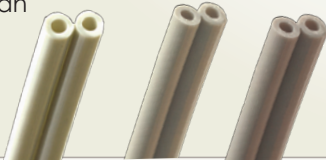
2-Hole Asepsis Syringe Tubing, Jacketed

- Part No. 115-664, straight sterling, Silcryn™.....\$.2.50/ft
- Ultra-flexible material



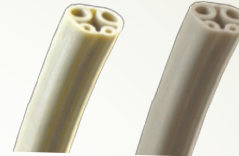
2-Hole Standard Syringe Tubing (Also Used as Pilot Air Tubing)

- Part No. 115-755, straight sterling\$.70/ft
- Part No. 115-055, straight gray\$.70/ft
- Part No. 115-255, straight surf\$.70/ft
- Polyurethane material
- Easy to clean



4-Hole Asepsis Foot Control Tubing

- Part No. 115-726, sterling.....\$2.40/ft
- Part No. 115-022, gray.....\$2.40/ft
- Polyurethane material
- Extruded with smooth outer wall
- Easy to clean



4-Hole Standard Foot Control Tubing

- Part No. 115-729, sterling.....\$2.00/ft
- Part No. 115-029, gray.....\$2.00/ft
- Polyurethane material
- Extruded with smooth outer wall
- Easy to clean

3-Hole Standard Foot Control Tubing

- Part No. 115-732, sterling.....\$1.80/ft
- Part No. 115-021, gray.....\$1.80/ft
- Polyurethane material



2-Hole Standard Foot Control Tubing

- Part No. 115-720, sterling.....\$.70/ft
- PVC material
- Part No. 115-016, gray.....\$1.30/ft
- Polyurethane material

- Part No. 115-020, gray.....\$.70/ft
- PVC material

- Part No. 115-220, surf.....\$.70/ft
- PVC material



Supply and Vacuum Tubing

1/8" Supply Tubing

Part No. 115-023, brown.....	\$.25/ft
Part No. 115-024, yellow.....	\$.25/ft
Part No. 115-025, clear.....	\$.25/ft
Part No. 115-027, red.....	\$.25/ft
Part No. 115-028, black.....	\$.25/ft
Part No. 115-030, blue.....	\$.25/ft
Part No. 115-057, light gray.....	\$.25/ft

- Polyurethane material



1/4" Supply Tubing

Part No. 115-759, sterling.....	\$.55/ft
Part No. 115-050, clear.....	\$.55/ft
Part No. 115-059, gray.....	\$.55/ft
Part No. 115-065, blue.....	\$.55/ft
Part No. 115-067, green.....	\$.55/ft

- Polyurethane material



Saliva Ejector Tubing, 7/32" I.D.

Part No. 115-734, sterling.....	\$.60/ft
Part No. 115-634, sterilizing, Silcryn™.....	\$.80/ft
Part No. 115-034, gray.....	\$.60/ft
Part No. 115-234, surf.....	\$.60/ft

- Polyvinyl material (except 115-634)



Custom Umbilical Tubing

Umbilical tubings to fit most custom installations may be ordered. The price is calculated by the cost per foot of tubing used and a nominal assembly charge. For price quote, call customer service with your specifications.

Asepsis Flex Tubing

Part No. 115-739, 1/2" I.D., sterling.....	\$2.60/ft
Part No. 115-039, 1/2" I.D., gray.....	\$2.60/ft

- Polyurethane material
- Extruded with smooth outer wall
- Easy to clean



Asepsis Flex Tubing

Part No. 115-717, 1/2" I.D., sterling.....	\$2.00/ft
Part No. 115-617, 1/2" I.D., sterling, Silcryn™.....	\$3.00/ft
Part No. 115-017, 1/2" I.D., gray.....	\$2.00/ft
Part No. 115-217, 1/2" I.D., surf.....	\$2.00/ft

- PVC material (except 115-617)
- Extruded with smooth outer wall
- Easy to clean



Spiral Flex Tubing

Part No. 115-740, 1/2" I.D., sterling.....	\$2.10/ft
Part No. 115-040, 1/2" I.D., gray.....	\$2.10/ft
Part No. 115-240, 1/2" I.D., surf.....	\$2.10/ft
Part No. 115-741, 5/8" I.D., sterling.....	\$2.40/ft
Part No. 115-041, 5/8" I.D., gray.....	\$2.40/ft
Part No. 115-742, 3/4" I.D., sterling.....	\$2.50/ft
Part No. 115-042, 3/4" I.D., gray.....	\$2.50/ft
Part No. 115-744, 1" I.D., sterling.....	\$2.70/ft
Part No. 115-745, 1-1/4" I.D., sterling.....	\$3.00/ft
Part No. 115-045, 1-1/4" I.D., gray.....	\$3.00/ft
Part No. 115-746, 1-1/2" I.D., sterling.....	\$3.70/ft
Part No. 115-046, 1-1/2" I.D., gray.....	\$3.70/ft
Part No. 115-748, 2" I.D., sterling.....	\$6.00/ft
Part No. 115-048, 2" I.D., gray.....	\$6.00/ft

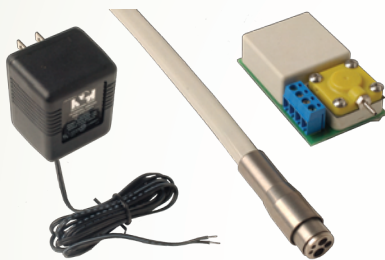


Handpiece Illumination, 5 Pin (ISO-B)

Iso-B 5 Pin Handpiece Illumination System with Delay

Part No. 115-713, straight sterling	\$266.00
Part No. 115-613, straight sterling, Silcryn™	\$271.00
Part No. 115-711, coiled sterling	\$266.00
Part No. 115-113, straight gray	\$266.00
Part No. 115-111, coiled gray	\$266.00
Part No. 115-213, straight surf	\$266.00

- Compact handpiece illumination system with delay
- Light source located in handpiece connector
- 13 Second time delay
- Bulb and connections protected by stainless steel sleeve
- Krypton bulb
- Asepsis tubing
- Air-electric switch and fittings
- 120 VAC to 3.5 VAC transformer



Time Control/Delay Module

Part No. 115-080	\$88.50
------------------------	---------

- 13 second time delay
- Adhesive base for easy mounting



Replacement Bulb (Krypton)

Part No. 016-010	\$36.00
Part No. 016-010-5, pkg of 5	\$164.00

- 3.5 V

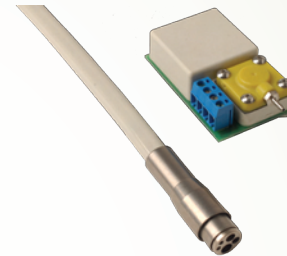


Note: One (1) time control/delay module (115-080) is required for each handpiece. One (1) transformer may be used for several handpieces

Iso-B 5 Pin Handpiece Illumination Kit with Delay

Part No. 115-773, straight sterling	\$225.00
Part No. 115-673, straight sterling, Silcryn™	\$230.00
Part No. 115-771, coiled sterling	\$225.00
Part No. 115-173, straight gray	\$225.00
Part No. 115-171, coiled gray	\$225.00
Part No. 115-273, straight surf	\$225.00

- Light source located in handpiece connector
- 13 Second time delay
- Bulb and connections protected by stainless steel sleeve
- Krypton bulb
- Asepsis tubing
- Air-electric switch and replacement tubing



Handpiece Illumination Tubing with Connector, Nut, Socket and Bulb

Part No. 115-712, straight sterling	\$150.00
Part No. 115-612, straight sterling™	\$155.00
Part No. 115-714, coiled sterling	\$150.00
Part No. 115-012, straight gray	\$150.00
Part No. 115-014, coiled gray	\$150.00
Part No. 115-212, straight surf	\$150.00

Iso-B 5 Pin Handpiece Illumination Tubing with Socket Only

Part No. 115-763, straight sterling	\$50.00
Part No. 115-663, straight sterling, Silcryn™	\$55.00
Part No. 115-760, coiled sterling	\$56.00
Part No. 115-063, straight gray	\$50.00
Part No. 115-060, coiled gray	\$56.00
Part No. 115-263, straight surf	\$50.00

Transformer

Part No. 016-001, 110 VAC	\$40.00
Part No. 016-002, 220 VAC	Call for Price

- Output 3.5VAC 750mA



110 VAC



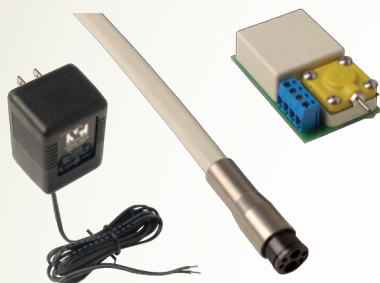
220 VAC

Handpiece Illumination, 6 Pin (ISO-C)

ISO-C 6 Pin HP Illumination System with Delay

Part No. 115-703, straight sterling	\$225.00
Part No. 115-603, straight sterling, Silcryn™	\$230.00
Part No. 115-103, straight gray	\$225.00
Part No. 115-203, straight surf	\$225.00

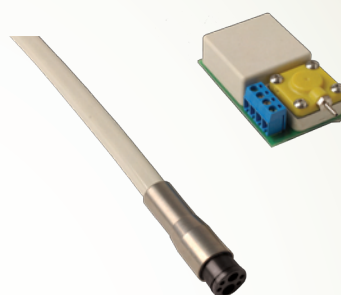
- ISO-C 6 Pin Connector
- Compact handpiece illumination system with delay
- 13 Second time delay
- Asepsis tubing
- Air-electric switch and fittings
- 120 VAC to 3.5 VAC transformer



ISO-C 6 Pin HP Illumination Kit with Delay

Part No. 115-783, straight sterling	\$190.00
Part No. 115-683, straight sterling, Silcryn™	\$195.00
Part No. 115-183, straight gray	\$190.00
Part No. 115-283, straight surf	\$190.00

- ISO-C 6 Pin Connector
- 13 Second time delay
- Asepsis tubing
- Air-electric switch and handpiece tubing



Time Control/Delay Module

Part No. 115-080	\$88.50
------------------------	---------

- 13 second time delay
- Low activation pressure
- Adhesive base for easy mounting



ISO-C Handpiece Illumination Tubing with 6 Pin Connector and Nut

Part No. 115-792, straight sterling	\$114.00
Part No. 115-692, straight sterling, Silcryn™	\$119.00
Part No. 115-092, straight gray	\$114.00
Part No. 115-292, straight surf	\$114.00

- ISO-C 6 Pin Connector



Transformer

Part No. 016-001, 110 VAC	\$40.00
Part No. 016-002, 220 VAC	Call for Price

- Output 3.5VAC 750mA



110 VAC



220 VAC

Note: One (1) time control/delay module (115-080) is required for each handpiece. One (1) transformer may be used for several handpieces

10-32 Hex Plug

Part No.030-003, pkg of 10..... \$3.70



1/4" and 8/32" Plastic Washer

Part No.030-025, 1/4", pkg of 10..... \$.70

Part No.030-026, 1/4", pkg of 100..... \$6.00

■ Used with 10-32 fittings

Part No.030-036, 8/32" pkg of 10..... \$1.50

■ Used under hex barb at base of syringe head



Tubing Ferrule

Part No.117-009, 1/8", pkg of 10..... \$1.50

Part No.117-010, 1/4", pkg of 10..... \$1.60

Part No.117-019, 1/8", pkg of 100..... \$11.50

Part No.117-012, 1/4", pkg of 100..... \$12.50



1/16" Plastic Barb Tee

Part No.022-056, pkg of 10..... \$10.50



1/8" Plastic Barb Tee

Part No.022-055, pkg of 10..... \$11.00



1/8" x 1/16" x 1/8" Plastic Barb Tee

Part No.022-061, pkg of 10..... \$11.50



10-32 Hex Barb

Part No.030-001, 1/8" pkg of 10..... \$4.40

Part No.030-002, 1/16" pkg of 10..... \$4.40



1/16" Barb Union

Part No.022-013, pkg of 10..... \$8.00



8-32 x 1/16" Hex Barb

Part No.030-004, pkg of 10..... \$4.75

■ Used at base of syringe head and top plate of automatic control block



1/8" Barb Union

Part No.022-014, pkg of 10..... \$10.00



1/16" x 1/8" Barb Union

Part No.022-025, pkg of 10..... \$9.00



10-32 4-Way Cross

Part No.023-008..... \$1.80



Fittings and Quick Disconnects

1/4" Poly Nut

Part No. 021-023\$.60



1/4" Poly Sleeve

Part No. 021-037, pkg of 10\$ 1.50



MPT Barb

Part No. 022-006, 1/16" barb x 1/8" MPT\$ 3.00

Part No. 022-016, 1/8" barb x 1/8" MPT\$ 4.00



1/4" Poly x 1/8" MPT

Part No. 021-027\$ 1.20



1/4" Poly Tee

Part No. 021-035\$ 3.90



1/4" Poly x 1/8" MPT Elbow

Part No. 021-036\$ 2.00



Mounting Brackets

Part No. 024-015\$ 2.00

- Used to mount a 15/32" O.D. valve or switch

Part No. 024-018\$ 4.50

- Used to mount a 1/2" O.D. quick disconnect

Part No. 024-019\$ 9.00

- Used to mount a 1/4" and 3/8" O.D. quick disconnect



Male Poly, without Shut-off QD

Part No. 024-002, 1/4"\$ 5.75

Part No. 024-007, 3/8"\$ 7.50



Female Poly, Panel Mount QD

Part No. 024-003, 1/4"\$ 13.50

Part No. 024-008, 3/8"\$ 17.00



Female 1/8" MPT QD

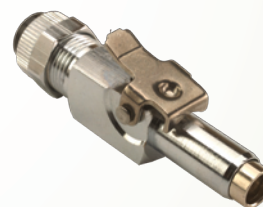
Part No. 024-004, 1/8" MPT x 1/4" female\$ 5.50



Male Poly, with Shut-off QD

Part No. 024-001, 1/4"\$ 10.25

Part No. 024-006, 3/8"\$ 13.50

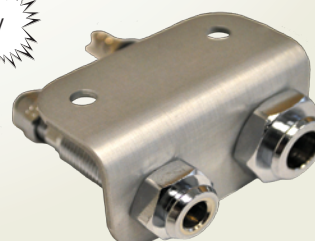


1/4" & 3/8" QD's with Mounting Bracket

Part No. 030-013\$ 55.00

- anodized aluminum bracket

- Includes tubing, fitting, tee's and mounting screws



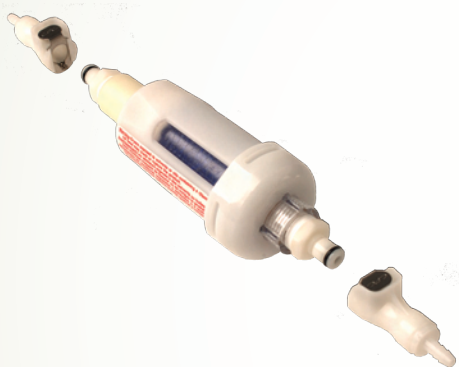
Filter Dryer Cartridge System

Part No. 119-021\$72.00



Part No. 119-022.....\$118.00

- Quick-disconnect for easy cartridge replacement



Filter Dryer QD Fitting Kit

Part No. 024-020\$50.00



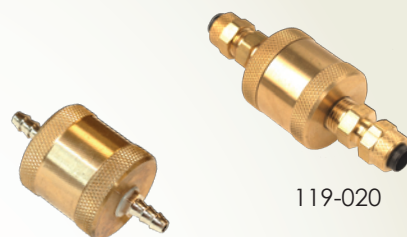
Air and Water Filter

Part No. 119-000, filter only.....\$20.50

Part No. 119-008, with 10-32 barbs.....\$22.50

Part No. 119-020, with 1/4" poly x 1/8" MPT\$24.00

- Solid brass body
- 35 micron filtration
- 1/8" FPT ports
- Easily disassembled for cleaning



119-008

119-020

Replacement Filter Element (used on above)

Part No. 119-003.....\$2.40

- Used with older Beaverstate filter/regulators
- Sintered bronze
- 35 micron filtration
- 7/8" dia.



Replacement Filter Element

Part No. 119-004.....\$2.80

- Used on newer Beaverstate filter/regulators
- Sintered bronze
- 35 micron filtration
- 1-1/8" dia.



Replacement Filter Element

Part No. 119-005.....\$2.80

- Used on newer Beaverstate filter/regulators
- Sintered bronze
- 100 micron filtration
- 1-1/8" dia.



Cart Accessories

Storage Bin Only

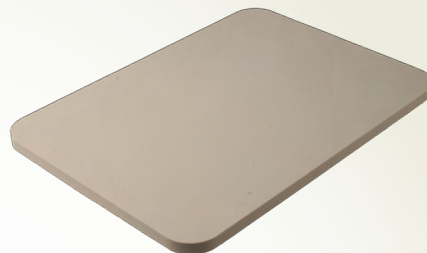
Part No. 110-015.....\$24.00



Work Surface (Cart Top)

Part No. 101-013.....\$170.00

- Large work surface, 16" x 22"
- Laminated surface with rounded edge moulding
- Color, Nevamar Dove Gray S-6-3T



Replacement Hinges for Storage Bin

Part No. 110-014, set of 2\$4.00



Caster

Part No. 108-007\$6.50

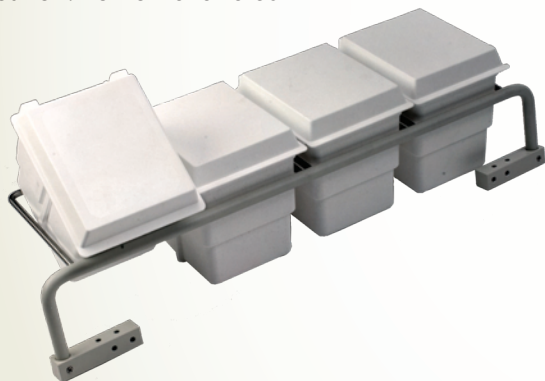
- Twin wheel
- For cart frame and stools



Storage Bin Assembly

Part No. 110-016, 23" wide, 4 bin.....\$250.00

- For custom mounting to carts
- 2 position: horizontal and 30° tilt



H-Type Mobile Frame

Part No. 108-016, 27" to 35", 18" wide\$415.00

Part No. 108-017, 21" to 29", 24" wide\$415.00

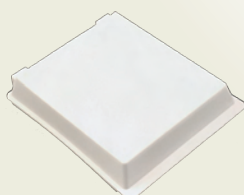
- Both cart frames measure 18 1/2" deep
- 2" dia. vertical upright
- Mounting plate, 4-7/8" x 6"
- Twin wheel casters
- Sterling color



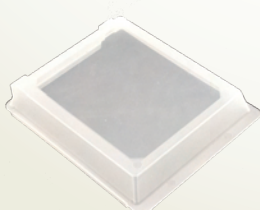
Replacement Lid for Storage Bin

Part No. 110-025, white\$10.00

Part No. 110-027, clear\$12.00



110-025



110-027

Post Cap/ Cart Frame End Cap

Part No. 010-059\$3.00

- Fits 28", 40", 48" and 54" posts
- Fits 2" dia. posts



Aerolight Replacement Parts

Aerolight Replacement Parts

Part No. 102-011, glass lens reflector\$120.00

- **Manufactured specifically for use with Aerolight,**
to deliver 5100k temperature



Part No. 102-012, safety shield\$50.00

- Polycarbonate material



Part No. 102-013, bulb\$26.00

- **Manufactured specifically for use with Aerolight**
- 24V, 100 Watt
- Halogen Filament



Part No. 102-014, bulb protector.....\$32.00



Aerolight Replacement Parts

Part No. 102-128, end caps\$20.00



Part No. 102-151, transformer, for post Mount\$120.00

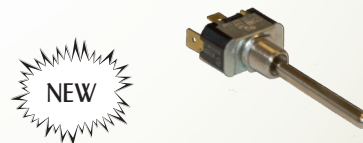
Part No. 102-156, Ttransformer, for ceiling mount ..\$140.00

- UL Approved
- Input: 120 VAC 60Hz 1.5A Max
- Output: 20~23 VAC 4.24A Max
- 6" L x 4" W x 3" H



102-151 Post Mount
Transformer Shown

Part No. 016-037, On-Off switch\$25.00



Part No. 016-120, fuse\$2.00

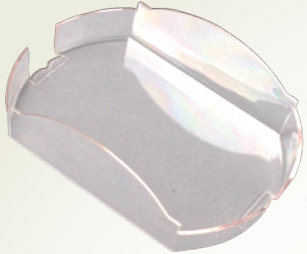
- 5 amp



Celux Light Replacement Parts

Celux Light Replacement Parts

Part No. CLX-010, safety shield.....\$60.00



Part No. CLX-011, bulb\$22.00



Part No. CLX-012, bulb protector.....\$32.00



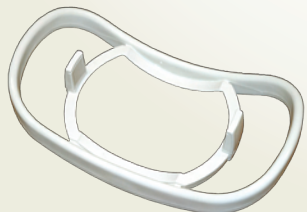
Part No. CLX-013, plastic lens reflector.....\$180.00



Part No. CLX-014 'S' spring for bulb..... \$20.00



Part No. CLX-015, handle assembly.....\$200.00
 ■ Includes 2 CLX-016 plastic shield side clips

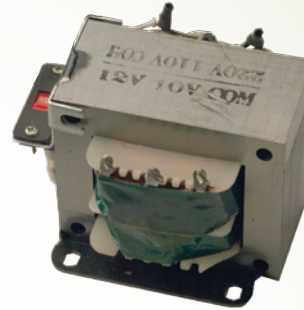


Celux Light Replacement Parts

Part No. CLX-017, On-Off switch\$48.00



Part No. CLX-018, transformer\$160.00



Part No. CLX-020, end caps\$20.00



Part No. CLX-025 bulb housing assembly.....\$140.00

■ Includes CLX-014 "S" spring for bulb



Part No. CLX-030, complete wiring harness.....\$80.00



Posts and Accessories

2" dia. Posts with Pelton Crane Adapter

Part No. 146-202, 28"	\$110.00
Part No. 146-203, 40" with 1 - 1-1/4" hole	\$134.00
Part No. 146-206, 54" with 1 - 3/4" hole	\$140.00
Part No. 146-209, 28" with 1 - 1-1/4" hole	\$120.00
Part No. 146-212, 48" with 2 - 1-1/4" holes	\$140.00

- .083 wall thickness
- 2" true post



Light Post Adapters

Part No. 146-005	\$25.00
------------------------	---------

- Fits Den-Tal-Ez, Faro, Forest and Ritter
- Measures 1.825 O.D. x 1.380 I.D.

Part No. 146-205	\$21.00
------------------------	---------

- Used inside 146-208 (Ritter shim)
- Fits Celux, Pelton, Adec, Belmont and Beaverstate 2" dia. post
- Measures 1.700 I.D. x 1.380"

Part No. 146-208	\$21.00
------------------------	---------

- Fits Celux, Pelton, Adec and Belmont
- Measures 1.832 O.D. x 1.700 I.D.



Post Cap/ Cart Frame End Cap

Part No. 010-059	\$3.00
------------------------	--------

- Fits into 2" dia. posts



Post Dressing Ring

Part No. 146-211	\$2.00
------------------------	--------

- Fits over 2" dia. posts
- Slides over and down post



Light Post Extension

Part No. 146-000	\$290.00
------------------------	----------

- Includes butterfly post clamp, 2 - 28" posts, post cap, light cord and sleeve

Part No. 146-015	\$190.00
------------------------	----------

- Includes butterfly post clamp, 1 - 28" post, post cap, light cord and sleeve



146-000



146-015

Unit post must be drilled for power cord

Butterfly Post Clamp

Part No. 146-001	\$68.00
------------------------	---------

- Adapts light post to control post
- Drilled to conceal light cord



Nyliner Bushing

Part No. 013-007	\$9.75
------------------------	--------

- Adapts 1-7/8" post to 2" dia. mount



Wall Mount Board

Part No. 106-209	\$60.00
------------------------	---------

- Measures 12" x 12"

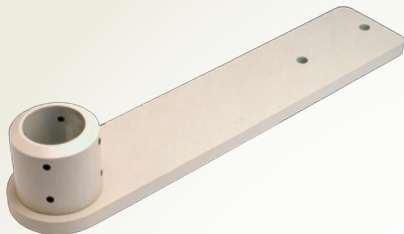


Chair Adapters and Cuspidor Accy's

Beaverstate Evolution Chair Adapter

Part No. 146-116..... \$252.00

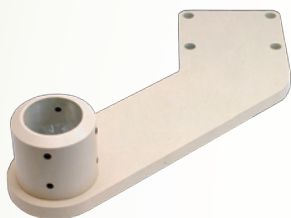
- Includes mounting hardware
- Accommodates 2" dia post



Belmont 7 thru 50 Chair Adapter

Part No. 146-102..... \$262.50

- Includes mounting hardware
- Accommodates 2" dia post



OTHER CHAIR ADAPTERS ARE
AVAILABLE AS SPECIAL ORDER.
UPCHARGE WILL APPLY.

Cuspidor Bowl

Part No. 132-110, ceramic with O-rings..... \$96.00

- 8" dia.
- Easy to clean



132-110 Ceramic

Cuspidor Bowl Replacement O-ring

Part No. 017-028 for polycarbonate bowl \$2.00 ea

Part No. 017-150 for ceramic bowl..... \$2.00 ea

- 2 Required per bowl

Cuspidor Bowl Strainer

Part No. 132-008..... \$.50

Part No. 132-009, pkg of 10..... \$4.25

- Disposable
- White plastic
- Fits most bowls



Vacuum Cuspidor Drain Kit

Part No. 112-072, 5/8" drain \$270.00

- Used to adapt gravity drain cuspidors to central vac
- Includes vacuum drain valve, flush nipple, filter assembly, tubing and installation hardware

Part No. 112-073 replacement diaphragm \$9.20

Part No. 112-074 replacement bowl \$12.00



Gauges and Service Items

Gauges

- Part No. 026-001 0-100 psi\$18.00
 Part No. 026-002 Panel Mount 0-100 psi\$18.00
- 0-160 psi, 1 5/8" dia. 026-001
 - 0-100 psi, 1/8" MPT 026-002
 - 10-32 port



Rectangular Gauge, Panel Mount

- Part No. 026-003\$29.50
- 0-60 psi
 - 1/2" x 1-3/4"
 - 10-32 port



Tie Strap

- Part No. 117-033, 4", pkg of 10\$1.00
 Part No. 117-036, 5-1/2", pkg of 10\$1.60
 Part No. 117-034, 11", pkg of 10\$2.50



Tie Strap Clamp with Adhesive Back

- Part No. 117-055, pkg of 5\$8.00



Touch-Up Paint

- Part No. 110-101\$7.00
- Available in "Sterling" color only
 - 1 oz. bottle



StainOff

- Part No. 110-105\$7.00
 Part No. 110-104, Case of 12\$72.00
- Iodophor Inactivator
 - 4 oz. bottle
 - Recommended for use in removing iodophor discoloration and/or spills



Sleeve Clamp Tool

- Part No. 117-031\$23.00
- Fits 1/8" & 1/4" ferrules



Allen Wrench Set

- Part No. 010-024\$24.00
- .050" to 5/16"
 - Ball driver end



Arm Adjustment Wrench

- Part No. 010-030\$27.00
- Modified 9/16" & 5/8" combo wrench
 - Used to adjust manual arm spring tension



O-rings

O-rings, Buna

Part No.017-301, buna-n, pkg of 10.....	\$2.00
Part No.017-302, buna-n, pkg of 10.....	\$2.00
Part No.017-303, buna-n, pkg of 10.....	\$2.00
Part No.017-304, buna-n, pkg of 10.....	\$2.00
Part No.017-305 buna-n, pkg of 10.....	\$2.00
Part No.017-306, buna-n, pkg of 10.....	\$2.00
Part No.017-307, buna-n, pkg of 10.....	\$2.00
Part No.017-308, buna-n, pkg of 10.....	\$2.00
Part No.017-321, buna-n, pkg of 10.....	\$4.00
Part No.017-323, buna-n, pkg of 10.....	\$3.60

O-rings, Viton^(R)

Part No.017-401, Viton ^(R) , pkg of 10.....	\$2.00
Part No.017-402, Viton ^(R) , pkg of 10.....	\$2.10
Part No.017-404, Viton ^(R) , pkg of 10.....	\$2.10
Part No.017-408, Viton ^(R) , pkg of 10.....	\$4.20
Part No.017-410, Viton ^(R) , pkg of 10.....	\$4.20
Part No.017-411, Viton ^(R) , pkg of 10.....	\$4.50
Part No.017-413, Viton ^(R) , pkg of 10.....	\$4.20

O-rings, Ethylene Propylene

Part No.017-601, E P, pkg of 10.....	\$2.00
Part No.017-602, E P, pkg of 10.....	\$2.00
Part No.017-603, E P, pkg of 10.....	\$2.00
Part No.017-604, E P, pkg of 10.....	\$2.00

- Highly recommended for use with chlorinated water

O-ring Kit, Buna-n

Part No.017-125.....	\$24.00
----------------------	---------

- 120 O-rings
- 12 commonly used sizes
- 12 compartment plastic box

O-ring Kit, Viton^(R)

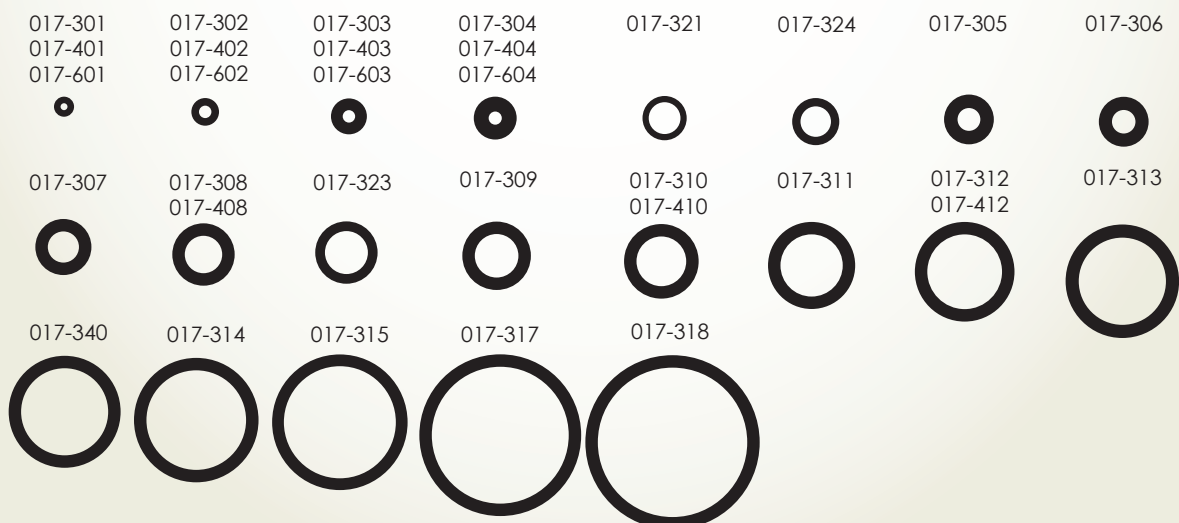
Part No.017-127.....	\$30.00
----------------------	---------

- 100 O-rings
- 10 commonly used sizes
- 12 compartment plastic box

12 Compartment Plastic Box Only

Part No.017-126.....	\$5.50
----------------------	--------

Size chart below, applies to all O-rings above.
O-Rings below are drawn actual size.



Unit Weights and Dimensions

Model #	Length	Width	Height	Dim. Wt.	Model #	Length	Width	Height	Dim. Wt.
A-050	13"	13"	7"	5	H-5200	44"	11"	7"	12
A-100	13"	13"	7"	6	PM-200	13"	13"	7"	5
A-101	13"	13"	7"	6	PM-220	13"	13"	7"	5
A-200	13"	13"	7"	6	PM-400	13"	13"	7"	9
A-202	13"	13"	7"	6	RD-3000	19"	19"	19"	9
A-220	13"	13"	7"	6	RD-3001	19"	19"	19"	9
A-222	13"	13"	7"	6	RD-4250, 4251	26"	21"	11"	50
A-230	13"	13"	7"	6	Ships in 3 boxes	26"	21"	11"	35
A-250	13"	13"	7"	7		28"	11"	6"	50
A-300	17"	17"	7"	11	S-330	19"	19"	9"	12
A-400	13"	13"	7"	8	S-340	17"	17"	7"	10
A-2100	25"	22"	30"	86	S-3300	40"	24"	14"	70
A-2150	25"	22"	30"	86	S-3306	40"	24"	14"	70
A-2500	40"	25"	15"	86	S-3410	40"	24"	14"	70
A-3000	40"	24"	14"	70	S-3415	40"	24"	14"	70
A-3011	40"	24"	14"	70	S-3500	40"	24"	14"	70
A-4100	25"	22"	30"	86	S-3506	40"	24"	14"	70
A-4150	25"	22"	30"	86	S-4100	23"	21"	29"	73
A-4500	25"	22"	30"	86	S-4150	23"	21"	29"	73
A-4550	25"	22"	30"	86	S-4250	23"	29"	30"	104
A-5000	19"	19"	9"	13	S-5225	44"	11"	6"	13
A-5032	19"	19"	9"	13	S-5325	44"	11"	6"	17
A-5124	19"	19"	6"	11	S-6300	37"	27"	20"	103
A-5132	19"	19"	9"	13	S-6307	37"	27"	20"	103
A-5150	19"	19"	6"	11	SC-4200	19"	19"	14"	30
A-5200	44"	11"	7"	12	SC-4250	19"	19"	14"	30
A-5210	25"	9"	9"	7	SD-3302	40"	24"	14"	70
A-5221	44"	11"	7"	11	SO-3304	19"	19"	16"	26
A-5222	44"	11"	7"	12	SO-3354	19"	19"	16"	29
A-5230	44"	11"	7"	12					
A-5524	19"	19"	7"	15					
AT-96	23"	23"	17"	35					
Aerolight (Post Mt.)	35"	18"	9"	24					
Aerolight (8' Ceiling Mt.)	36"	29"	8"	23					
Aerolight (9'/10' Ceiling Mt.)	36"	29"	8"	28					
C-3200	28"	15"	20"	44					
C-3201	28"	15"	20"	44					
C-3250	28"	15"	20"	44					
CLX-110	28"	15"	10"	24					
CLX-220	28"	15"	10"	24					
DR-96	23"	23"	17"	29					
EVOL 3 -110	32"	42"	48"	350					
H-3500	40"	24"	14"	70					

WEIGHTS/DIMENSIONS FOR COMPLETE PKG'S

	L	W	H	#
Helix	48" x 32"	48" x 47"	38" x 62"	605 lbs
Northwest	48" x 32"	48" x 47"	62" x 38"	572 lbs
Evergreen	48" x 32"	48" x 47"	48" x 62"	590 lbs
Columbia	48" x 32"	48" x 47"	48" x 62"	585 lbs
Sierra	48" x 32"	48" x 47"	52" x 62"	596 lbs
Mt. Hood	48" x 32"	47" x 47"	47" x 62"	594 lbs
McKenzie	48" x 32"	48" x 47"	49" x 62"	608 lbs

Note: All larger shipments and complete operatory packages are shipped via (YRC) Yellow Roadway Co. unless otherwise specified.

Index

Model	Price	Page
003-006	\$.60	72
003-020	\$2.50	90
010-001	\$56.50	74
010-002	\$47.50	74
010-009	\$.30	79
010-024	\$24.00	105
010-030	\$27.00	105
010-048	\$.25	79
010-051	\$15.00	74
010-059	\$3.00	100,103
010-060	\$3.50	74
010-061	\$3.15	74
013-007	\$9.75	103
014-006	\$22.00	84
014-007	\$33.00	84
014-010	\$22.00	84
014-012	\$9.00	85
016-001	\$40.00	95,96
016-002	Call for Price	95,96
016-010-5	\$164.00	95
016-010	\$36.00	95
016-014	\$1.00	80
016-020	\$9.50	80
016-023	\$23.10	80
016-031	\$38.00	80
016-032	\$38.00	80
016-037	\$25.00	101
016-120	\$2.00	101
017-028	\$2.00 ea.	104
017-030	\$1.00	79
017-125	\$24.00	106
017-126	\$5.50	106
017-127	\$30.00	106
017-150	\$2.00 ea.	104
017-301	\$2.00	106
017-302	\$2.00	106
017-303	\$2.00	106
017-304	\$2.00	106
017-305	\$2.00	106
017-306	\$2.00	106
017-307	\$2.00	106
017-308	\$2.00	106
017-321	\$4.00	106
017-323	\$3.60	106
017-401	\$2.00	106
017-402	\$2.10	106
017-404	\$2.10	106
017-408	\$4.20	106
017-410	\$4.20	78,106
017-411	\$4.50	106
017-413	\$4.20	78,106
017-601	\$2.00	106
017-602	\$2.00	106
017-603	\$2.00	106
017-604	\$2.00	106
020-022	\$8.50	85
021-023	\$.60	98
021-027	\$1.20	98
021-035	\$3.90	98
021-036	\$2.00	98
021-037	\$1.50	98
022-006	\$3.00	98

Model	Price	Page
022-013	\$8.00	97
022-014	\$10.00	97
022-016	\$4.00	98
022-025	\$9.00	97
022-055	\$11.00	97
022-056	\$10.50	97
022-061	\$11.50	97
023-008	\$1.80	97
024-001	\$10.25	98
024-002	\$5.75	98
024-003	\$13.50	98
024-004	\$5.50	98
024-006	\$13.50	98
024-007	\$7.50	98
024-008	\$17.00	98
024-015	\$2.00	85
024-018	\$4.50	85
024-019	\$9.00	85
024-020	\$50.00	99
025-001	\$72.00	88
026-001	\$18.00	105
026-002	\$18.00	105
026-003	\$29.50	105
026-020	\$16.00	85
030-001	\$4.40	97
030-002	\$4.40	97
030-003	\$3.70	97
030-004	\$4.75	97
030-010	\$21.00	35, 37, 45, 59
030-012	\$37.00	63, 76
030-013	\$47.00	37, 41, 43, 45, 76
030-014	\$73.00	6, 7, 8, 9, 29, 31, 76
030-015	\$25.00	37, 43
030-016	\$72.50	10, 11, 45, 59
030-017	\$77.50	37, 76
030-018	\$70.40	61
030-025	\$.70	97
030-026	\$6.00	97
030-036	\$1.50	97
101-013	\$170.00	100
101-016	\$35.00	27
102-011	\$120.00	101
102-012	\$50.00	101
102-013	\$26.00	101
102-014	\$32.00	101
102-128	\$20.00	101
102-151	\$120.00	101
102-156	\$140.00	101
102-160		67
103-065	\$27.30	72
105-008	\$23.60	72
105-009	\$24.60	72
105-016	\$42.00	73
105-017	\$49.00	72
105-018	\$52.00	73
105-026	\$187.00	72
105-027	\$187.00	72
105-028	\$196.00	72
105-029	\$196.00	72
105-034	\$56.00	72
105-039	\$45.00	72
105-040	\$42.00	72

Model	Price	Page
105-042	\$46.00	72
105-043	\$49.00	72
105-051	\$52.00	73
105-053	\$258.00	74
105-055	\$53.00	79
105-060	\$28.00	72
105-062	\$55.00	74
105-063	\$16.00	73
105-065	\$125.00	74
105-068	\$141.75	74
105-074	\$40.00	74
105-078	\$141.75	74
105-092	\$63.00	73
105-093	\$74.00	74
105-120	\$150.00	73
105-126	\$57.00	73
105-127	\$65.00	73
105-130	\$120.00	73
105-170	\$70.00	83
105-174	\$100.00	83
105-175	\$450.00	76
105-177	\$80.00	83
105-186	\$420.00	71
105-250	\$260.00	73
106-203	\$70.00	71
106-205	\$105.00	73
106-209	\$45.00	103
106-223	\$730.00	71
106-300	\$840.00	71
106-306	\$840.00	71
106-309	\$840.00	71
108-007	\$6.50	100
108-016	\$415.00	100
108-017	\$415.00	100
110-004	\$144.00	89
110-007	\$25.00	90
110-009	\$12.00	90
110-012	\$12.00	90
110-014	\$4.00	100
110-015	\$24.00	100
110-016	\$250.00	100
110-025	\$10.00	100
110-027	\$12.00	100
110-028	\$180.00	89
110-029	\$215.00	89
110-030	\$.25	90
110-041	\$12.00	90
110-042	\$16.00	90
110-046	\$26.00	90
110-051	\$450.00	89
110-052	\$410.00	89
110-062	\$280.00	89
110-066	\$305.00	89
110-067	\$310.00	89
110-068	\$325.00	89
110-101	\$7.00	105
110-104	\$72.00	105
110-105	\$7.00	105
112-059	\$5.25	78
112-072	\$270.00	104
112-073	\$9.20	104
112-074	\$12.00	104

Index

Model	Price	Page
112-169	\$3.15	78
112-170	\$5.25	78
112-174	\$2.20	78
112-175	\$4.30	78
112-177	\$4.20	78
112-181	\$3.15	78
112-190	\$23.00	77
112-192	\$26.00	77
112-193	\$35.00	77
112-262	\$36.00	77
112-263	\$41.00	77
112-280	\$28.00	77
113-019	\$12.50	87
113-020	\$12.50	87
113-026	\$22.00	87
113-030	\$4.90	87
113-202	\$88.00	86
113-228	\$.50	87
113-230	\$14.25	87
113-231	\$4.00	87
113-234	\$4.40	87
113-237	\$45.00	87
113-242	\$8.00	85
113-247	\$400.00	87
113-328	\$4.80	87
113-400	\$72.00	86
113-401	\$4.40	87
113-403	\$22.00	87
113-505	\$84.00	86
113-508	\$82.00	86
113-510	\$84.00	86
113-513	\$82.00	86
113-514	\$99.50	59
113-515	\$99.00	29, 31, 39, 41, 43
114-015	\$2.30	92
114-025	\$12.50	92
114-026	\$14.50	92
114-035	\$16.00	92
114-036	\$18.00	92
114-125	\$25.00	92
114-129	\$22.00	92
114-135	\$28.00	92
114-139	\$24.00	92
114-629	\$23.00	92
114-725	\$25.00	92
114-729	\$22.00	92
114-735	\$28.00	92
114-739	\$24.00	92
115-012	\$150.00	95
115-014	\$150.00	95
115-016	\$1.30/ft	93
115-017	\$2.00/ft	94
115-020	\$.70/ft	93
115-021	\$1.80/ft	93
115-022	\$2.40/ft	93
115-023	\$.25/ft	94
115-024	\$.25/ft	94
115-025	\$.25/ft	94
115-027	\$.25/ft	94
115-028	\$.25/ft	94
115-030	\$.25/ft	94
115-034	\$.60/ft	94

Model	Price	Page
115-039	\$2.60/ft	94
115-040	\$2.10/ft	94
115-041	\$2.40/ft	94
115-042	\$2.50/ft	94
115-045	\$3.00/ft	94
115-046	\$3.70/ft	94
115-048	\$6.00/ft	94
115-050	\$.55/ft	94
115-053	\$8.00	93
115-055	\$.70/ft	93
115-057	\$.25/ft	94
115-059	\$.55/ft	94
115-060	\$56.00	95
115-063	\$50.00	95
115-064	\$.70/ft	93
115-065	\$.55/ft	94
115-067	\$.55/ft	94
115-080	\$88.50	95, 96
115-092	\$114.00	96
115-103	\$225.00	96
115-108	\$1.00/ft	93
115-109	\$1.20/ft	92
115-111	\$266.00	95
115-113	\$266.00	95
115-119	\$11.00	93
115-158	\$12.90	92
115-171	\$225.00	95
115-173	\$225.00	95
115-183	\$190.00	96
115-203	\$225.00	96
115-212	\$150.00	95
115-213	\$266.00	95
115-220	\$.70	93
115-234	\$.60/ft	94
115-253	\$8.00	93
115-255	\$.70/ft	93
115-263	\$50.00	95
115-264	\$.70/ft	93
115-283	\$190.00	96
115-292	\$114.00	96
115-603	\$230.00	96
115-609	\$1.35/ft	92
115-612	\$155.00	95
115-613	\$271.00	95
115-617	\$3.00/ft	94
115-634	\$.80/ft	94
115-663	\$55.00	95
115-664	\$2.50/ft	93
115-673	\$230.00	95
115-683	\$195.00	96
115-692	\$119.00	96
115-703	\$225.00	96
115-708	\$1.00/ft	93
115-709	\$1.20/ft	92
115-711	\$266.00	95
115-712	\$150.00	95
115-713	\$266.00	95
115-714	\$150.00	95
115-717	\$2.00/ft	94
115-719	\$11.00	93
115-720	\$.70/ft	93
115-726	\$2.40/ft	93

Model	Price	Page
115-732	\$1.80/ft	93
115-734	\$.60/ft	94
115-739	\$2.60/ft	94
115-740	\$2.10/ft	94
115-741	\$2.40/ft	94
115-742	\$2.50/ft	94
115-744	\$2.70/ft	94
115-745	\$3.00/ft	94
115-746	\$3.70/ft	94
115-748	\$6.00/ft	94
115-753	\$8.00	93
115-755	\$.70/ft	93
115-758	\$12.90	92
115-759	\$.55/ft	94
115-760	\$56.00	95
115-763	\$50.00	95
115-764	\$.70/ft	93
115-771	\$225.00	95
115-773	\$225.00	95
115-783	\$190.00	96
115-792	\$114.00	96
117-009	\$1.50	97
117-010	\$1.60	97
117-012	\$12.50	97
117-019	\$11.50	97
117-031	\$23.00	105
117-033	\$1.00	98
117-034	\$2.50	98
117-036	\$1.60	98
117-055	\$8.00	98
117-056	\$10.50	80
119-000	\$20.50	99
119-003	\$2.40	99
119-004	\$2.80	99
119-005	\$2.80	99
119-008	\$22.50	99
119-015	\$9.00	85
119-020	\$24.00	99
119-021	\$72.00	99
119-022	\$118.00	99
119-027	\$27.50	80
119-028	\$9.00	80
120-000	\$17.50	84
120-005	\$20.50	84
120-015	\$17.50	84
120-018	\$20.50	84
121-000	\$17.50	84
121-002	\$6.00	84
122-031	\$9.00	82
122-044	\$9.00	82
122-049	\$28.00	82
122-055	\$36.00	81
122-056	\$36.00	81
122-060	\$45.00	81
122-061	\$45.00	81
122-100	\$28.50	81
123-000	\$28.00	85
125-016	\$2.20	83
125-030	\$110.00	83
125-040	\$145.00	83
125-044	\$2.50	83
125-050	\$170.00	83

Index

<i>Model</i>	<i>Price</i>	<i>Page</i>	<i>Model</i>	<i>Price</i>	<i>Page</i>	<i>Model</i>	<i>Price</i>	<i>Page</i>
125-116	\$3.50	83	144-047	\$180.00	88	CLX-020	\$20.00	102
126-000	\$72.00	91	146-000	\$290.00	103	CLX-030	\$80.00	102
126-008	\$70.00	91	144-057	\$818.00	9	CLX-110	\$1,060.00	68
126-025	\$15.00	91	146-001	\$68.00	103	*Columbia	\$12,877.00	8
126-133	\$153.00	91	146-005	\$25.00	103	DR-96	\$444.00	70
126-153	\$166.00	91	146-015	\$190.00	103	*Evergreen	\$12,760.00	7
126-160	\$152.00	91	146-102	\$262.50	104	Evolution Chair	\$7,000.00	12
126-164	\$4.00	91	146-116	\$252.00	104	*Helix	\$13,125.00	5
126-203	\$200.00	91	146-202	\$110.00	103	*Mckenzie	\$13,455.00	11
127-010-A	\$120.00	88	146-203	\$134.00	103	*Mt. Hood	\$13,225.00	10
127-010-W	\$120.00	88	146-205	\$21.00	103	*Northwest	\$12,505.00	6
127-011	\$255.00	88	146-206	\$140.00	103	PM-200	\$680.00	56
128-010	\$16.50	88	146-208	\$21.00	103	PM-220	\$770.00	56
128-017	\$28.00	84	146-209	\$120.00	103	PM-400	\$1,010.00	56
128-018	\$23.00	84	146-211	\$2.00	103	RD-3000	\$2,520.00	34
131-025	\$198.00	75	146-212	\$140.00	103	RD-3001	\$2,420.00	34
131-026	\$220.00	75	A-050	\$230.00	54	RD-4250	\$5,350.00	36
131-027	\$250.00	75	A-100	\$465.00	54	RD-4251	\$3,825.00	36
131-030	\$23.00	79	A-101	\$272.00	54	S-3300	\$3,000.00	16
131-030 LID	\$5.00	79	A-200	\$525.00	52	S-3306	\$3,000.00	16
131-034	\$21.00	80	A-202	\$560.00	52	S-330	\$1,380.00	48
131-035	\$25.00	79	A-2100	\$1,750.00	44	S-3410	\$2,120.00	20
131-035 LID	\$5.00	79	A-2150	\$2,150.00	44	S-3415	\$2,220.00	20
131-036	\$35.00	79	A-220	\$590.00	50	S-3500	\$3,050.00	14
131-036 LID	\$6.00	79	A-222	\$630.00	50	S-3506	\$3,050.00	14
131-038	\$2.65	78	A-230	\$630.00	26	S-4100	\$2,120.00	38
131-039	\$2.65	78	A-2500	\$1,860.00	22	S-4150	\$2,360.00	38
131-045	\$440.00	76	A-250	\$700.00	26	S-4250	\$3,450.00	40
131-052	\$.75	79	A-3000	\$2,510.00	22	S-5325	\$1,585.00	24
131-053	\$.80	79	A-300	\$1,240.00	48	S-6300	\$3,380.00	18
131-054	\$7.30	79	A-400	\$920.00	50	S-6307	\$3,380.00	18
131-055	\$7.80	79	A-4100	\$2,240.00	42	SC-4200	\$1,750.00	30
131-070	\$70.00	79	A-4150	\$2,640.00	42	SC-4250	\$2,340.00	30
131-071	\$75.00	79	A-4500	\$1,020.00	46	SD-3302	\$3,070.00	32
132-008	\$.50	104	A-4550	\$1,390.00	46	*Sierra	\$13,105.00	9
132-009	\$4.25	104	A-5000	\$620.00	60	SO-3304	\$1,820.00	28
132-110	\$96.00	104	A-5032	\$626.00	60	SO-3354	\$2,000.00	28
132-114	\$80.00	104	A-5124	\$606.00	60			
132-121	\$150.00	59	A-5132	\$612.00	60			
141-002	\$5.00	82	A-5150	\$690.00	30			
141-005	\$4.50	82	A-5210	\$657.00	7			
141-006	\$7.50	82	A-5200	\$793.00	60			
141-016	\$4.00	82	A-5221	\$696.50	60			
141-017	\$3.50	83	A-5222	\$746.50	60			
141-023	\$16.00	82	A-5230	\$850.00	62			
141-034	\$21.00	83	A-5524	\$900.00	62			
141-035	\$23.00	83	AT-96	\$620.00	70			
141-037	\$20.00	82	Aerolight					
141-038	\$7.50	82	Post Mt.	\$1,495.00	64			
141-050	\$14.00	83	Aerolight					
141-051	\$16.00	83	Ceiling Mt.	\$2,100.00	66			
141-052	\$18.50	83	C-3200	\$900.00	58			
141-053	\$20.00	83	C-3250	\$1,242.00	58			
141-054	\$25.00	83	CLX-010	\$60.00	102			
141-061	\$33.00	82	CLX-011	\$22.00	102			
141-100	\$14.00	81	CLX-012	\$32.00	102			
144-015	\$90.00	88	CLX-013	\$180.00	102			
144-018	\$350.00	88	CLX-014	\$20.00	102			
144-020	\$230.00	88	CLX-015	\$200.00	102			
144-027	\$260.00	88	CLX-016	\$20.00	102			
144-046	\$420.00	88	CLX-017	\$48.00	102			
144-055	\$800.00	7	CLX-018	\$160.00	102			

* Operatory Packages

Upholstery Color Selection Guide



Active Bacterial Resistance to the Following Bacteria

- Bacillus cereus
- Proteus vulgaris
- Basillus mycooides
- Pseudomonas aeruginose
- Bacillus subtilis
- Salmonella Choleraesuis
- Enterococcus faecalis
- Salmonella typhimurium
- Escherichia coli
- Staphylococcus aureus
- Klebsiella pneumoniae

PreFixx[®] Protective Finish

- Outstanding stain resistance and cleanability - most stains wash off easily with mild cleanser.
- Abrasion Resistance - easily passes 400,000 cycles Wyzenbeek test using #8 cotton duck.
- Abrasion Resistance - easily passes 60,000 cycles Wyzenbeek test using steel wire screen.
- Resistant to common scuffing and burnishing.
- Eliminates blocking and prevents premature aging.
- Sulfide Stain Resistant, Urine Stain Resistant
- Oil Resistant
- Mildew Resistant
- Superior Disinfectant Resistance - Superior resistance to staining by vinyl upholstery fabric germicides (including a one-in-ten solution of household bleach).

Designed to meet the following flammability specifications

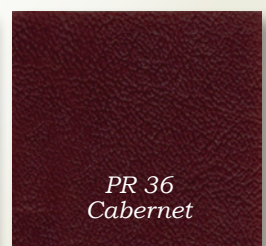
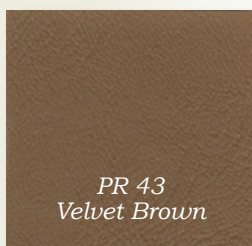
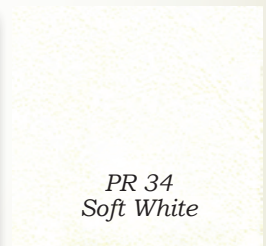
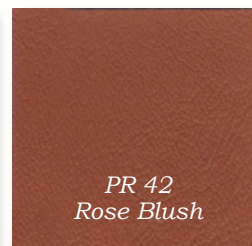
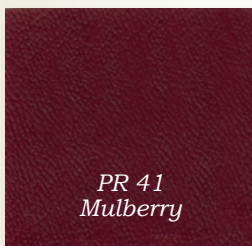
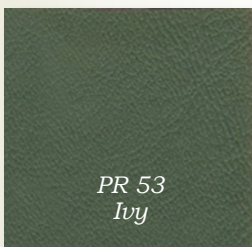
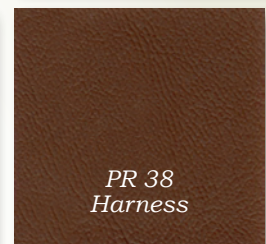
- Federal Specification CID-A-A-2950 dated 10/10/95 (supersedes Federal Specification CCC-A 680A).
- Boxton 1X-1
- New York Port Authority Code Requirements dated 1/92.
- NFPA Code 701 (Small Scale) Life Safety Code Standards dated 1977
- FMVSS-302
- Designed to meet FAA-FAR25.853 (a) and appendix F Part 1 (a) (1) (ii) per 1993 Publication.
- California Flammability Regulation 117-75. Sec. E.

Printed colors may vary from actual material. Orders for upholstery are noncancelable

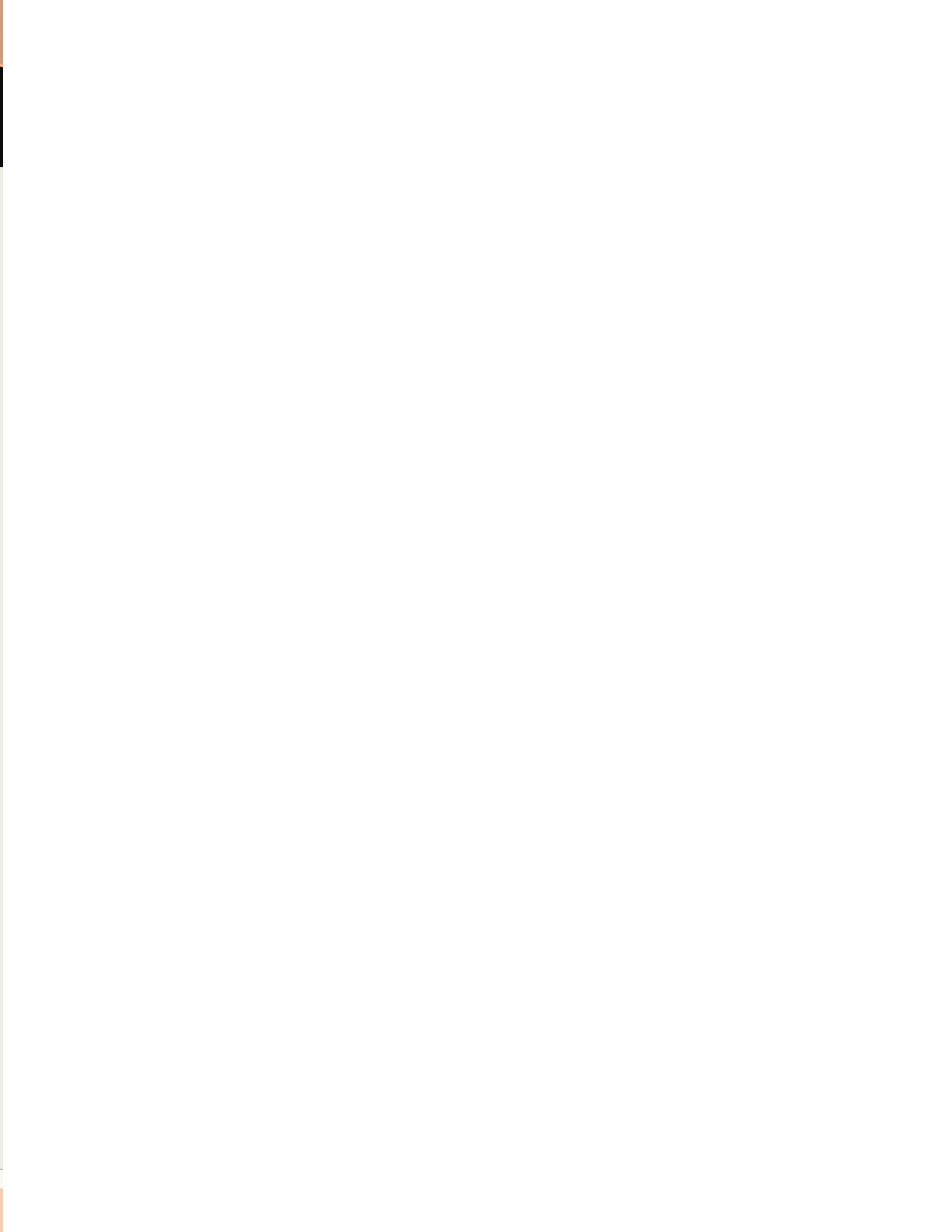
Upholstery Color Selection Guide

Nauga Soft

NAUGAHYDE
BRAND FABRIC



Printed colors may vary from actual material. Orders for upholstery are noncancelable





Beaverstate Dental, Inc.

115 S. Elliott Rd.

Newberg, OR 97128

1-800-237-2303

503-538-8756 phone

503-538-2845 fax

www.beaverstatedental.com